

SR9244

ROUGH TERRAIN TELEHANDLER



- Full time 4-wheel drive
- Power assisted steering
- Proportional joystick
- Simple to operate and maintain

 **snorkel**[™]
www.snorkellifts.com

ROUGH TERRAIN TELEHANDLER

SR9244

CAPABILITIES	SR9244
Max. lift capacity	9,260 lbs
Max. lift height (A)	44 ft 4 in
Max. forward reach	31 ft 2 in

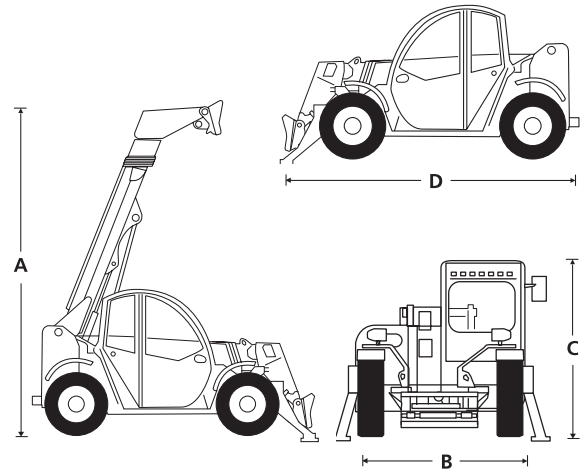
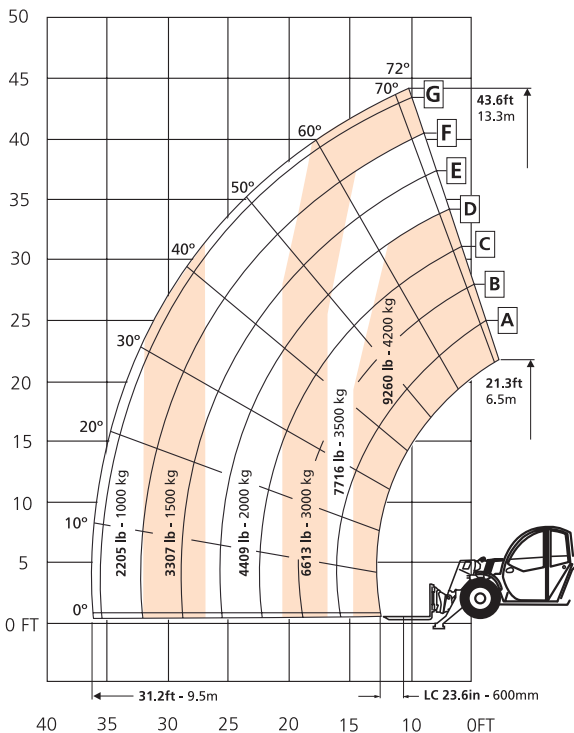
DIMENSIONS	
Overall width (B)	7 ft 6 in
Stowed height (C)	8 ft 5 in
Length to fork face (D)*	21 ft 2 in
Wheelbase	9 ft 8 in
Ground clearance	14 in

PERFORMANCE	
Max. drive speed	18 mph
Raise/lower time	13/9.5 sec
Frame leveling	11°
Hydraulic flow (per minute)	32 gal
Hydraulic pressure	3,336 psi
Hydraulic oil capacity	39.5 gal
Fuel capacity	31.7 gal
Outside turning radius	13 ft 8 in
Tires	405/70-24

POWER	
Power source	Deutz TCD 3.6L Tier 4 Final diesel 100hp

WEIGHT	
Weight	24,581 lbs

LOAD CHART



STANDARD FEATURES

- Backup alarm
- Axle mounted outriggers
- PEB electrical boom socket
- Constant front hydraulic flow
- USA block heater plug
- B class carriage adapter
- Hydraulic attachment quick disconnect
- LED work lights (2)
- Amber beacon
- 2 year parts & labor, 5 year structural warranty
- ANSI compliant

OPTIONS

- Special paint colors
- Multiple options for carriages, tires, fork tines, and attachments

snorkel www.snorkelifts.com

P.O. Box 1160
 St. Joseph, MO 64502-1160, USA
 Tel: 1 (785) 989-3000
 Toll-Free: 1 (800) 255-0317
 Sales Fax: 1 (785) 989-3070
 Parts Fax: 1 (785) 989-3077