

# ML5I/ML10I/ML15I

## MATERIAL LIFTS



- A high specification material lift with heavy duty load capacity
- Narrow design to maneuver through a standard doorway without tilting back
- Robust, industrial grade
- Features a dual-handle, shift-on-the-fly, two-speed winch for improved productivity

 **snorkel**<sup>™</sup>  
[www.snorkellifts.com](http://www.snorkellifts.com)

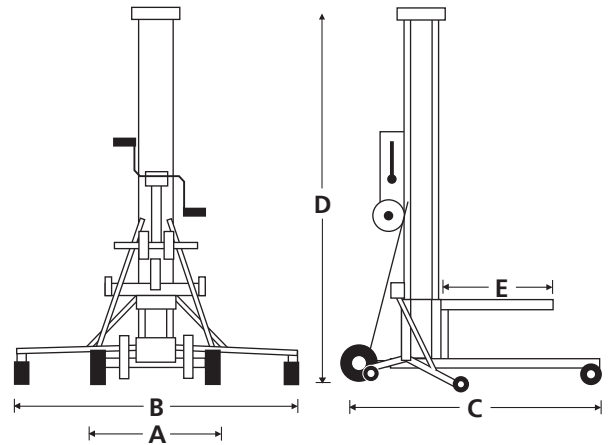
# MATERIAL LIFTS

# ML5I/ML10I/ML15I

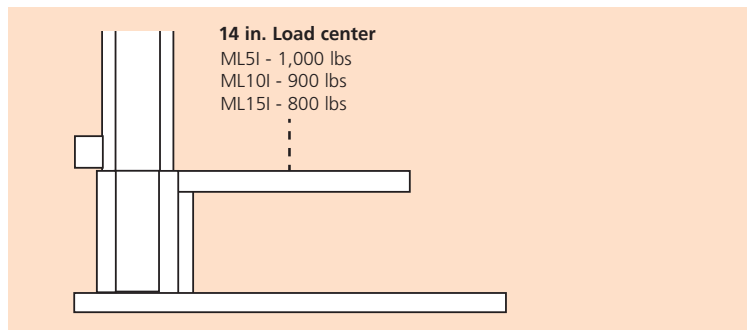
DIMENSIONS	ML5I	ML10I	ML15I
Lift height – forks up	6 ft 5 in	11 ft	15 ft 8 in
Lift height – forks down	4 ft 8 in	9 ft 4 in	13 ft 11 in
Stowed width <b>(A)</b>	30.5 in	30.5 in	30.5 in
Stabilizer width <b>(B)</b>	5 ft 4 in	5 ft 4 in	5 ft 4 in
Stowed length	2 ft 9 in	2 ft 9 in	2 ft 9 in
Operating length <b>(C)</b>	5 ft 2 in	5 ft 2 in	5 ft 7 in
Stowed height <b>(D)</b>	6 ft 3 in	6 ft 3 in	6 ft 3 in
Fork width (outside)	23 in	23 in	23 in
Fork length <b>(E)</b>	30 in	30 in	30 in
Ground clearance	2.5 in	2.5 in	2.5 in

PERFORMANCE	ML5I	ML10I	ML15I
Max. load capacity (14" load center)	1,000 lbs	900 lbs	800 lbs
Max. load capacity (24" load center)	750 lbs	750 lbs	700 lbs
Max. load capacity (42" in load center)	350 lbs	350 lbs	325 lbs
Min. load height	6 in	6 in	6 in
Winch (high speed)		4 cranks/ft	
Winch (low speed)		15 cranks/ft	

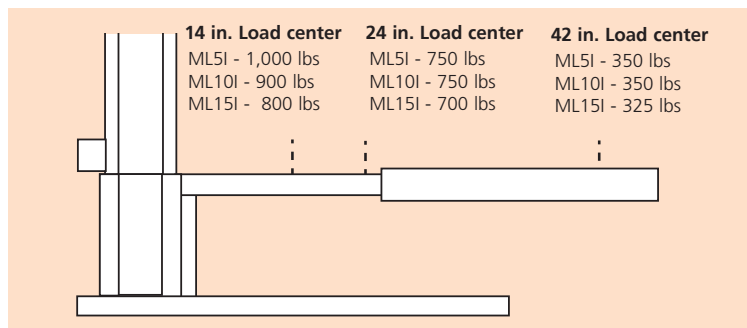
WEIGHT	ML5I	ML10I	ML15I
Weight	197 lbs	234 lbs	270 lbs



## LOAD CAPACITY - STANDARD FORKS



## LOAD CAPACITY - EXTENDED FORKS



## STANDARD FEATURES

- Mast brake
- Cable guard
- Dual-handle, two-speed shift-on-the-fly win
- Metal cable pulleys with sealed bearings
- Heavy-gauge aluminum extrusions
- Heavy duty, non-marking casters
- Crane attachment point
- 2 year parts & labor, 5 year structural warranty
- ANSI compliant

## OPTIONS

- Special paint colors
- Adjustable forks
- Fork extensions
- Boom
- Pipe cradle
- Load platform
- Straddle base
- Stabilizers with non-marking swivel casters
- Non-marking rear transport wheel package
- Smart latch



P.O. Box 1160  
 St. Joseph, MO 64502-1160, USA  
 Tel: 1 (785) 989-3000  
 Toll-free: 1 (800) 255-0317  
 Fax: 1 (785) 989-3070  
 Email: sales.usa@snorkellifts.com

www.snorkellifts.com