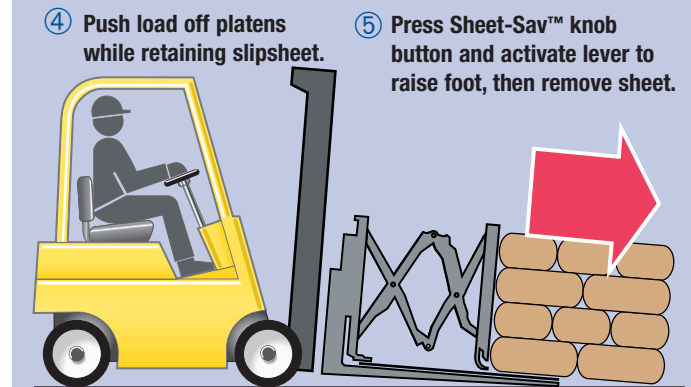
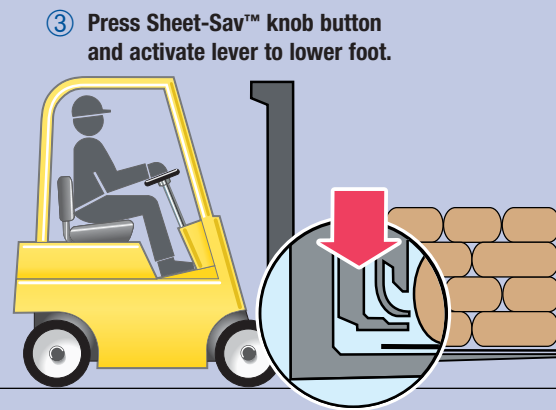
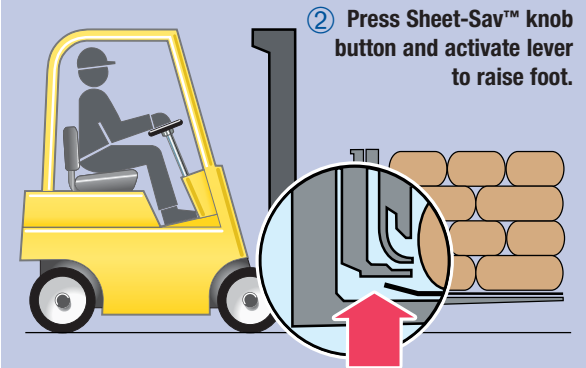
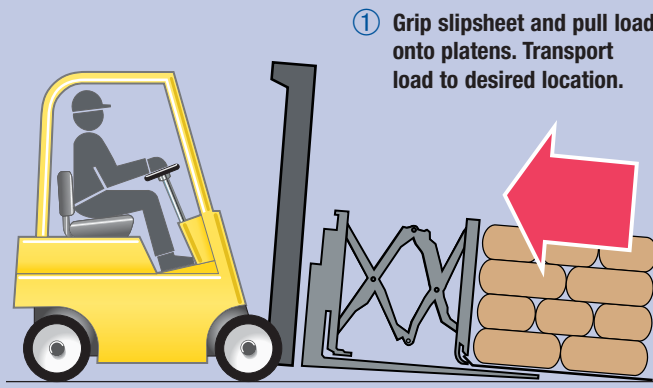




SHEET-SAV™ PUSH PULL



Save your slip sheets using a Sheet-Sav™ Push/Pull.

Slip sheet handling with the added ability to retain and reuse your slip sheets.

APPLICATIONS

Use the Cascade Sheet-Sav™ Push/Pull to keep your slip sheets in house. This is a popular attachment for manufacturers who handle product on slip sheets within their operation and who transfer product without a slip sheet onto a pallet, into a container, or onto a flatbed truck. Popular for bagged cement, bagged seed and grain, packaged food, dairy products, fruit and produce and corrugated box blank handling.

FEATURES

High production slipsheet handling capabilities

- High visibility pantograph, gripper jaw and faceplate
- Adjustable platens
- 4° tilting faceplate
- Chamfered platen corners and gripper jaw design protects the slipsheet
- QFM models: Frame mounts between forks (20" wide) for minimum effective thickness (lost load)

Strength and durability in demanding applications

- High strength, rigid pantograph for safe load packing
- Protected hydraulics
- "Cushion" cylinders reduce operating noise
- Simplified hydraulic circuit

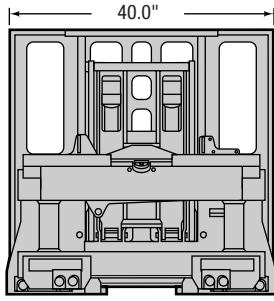
OPTIONS

- Quick-change hydraulic couplers
- Hydraulic flow control valve
- Extended height and width faceplates
- Extended push strokes
- Faceplate stop group
- Optional platen sizes
- Forks and multiple fork groups
- Class III mounting (45E only)

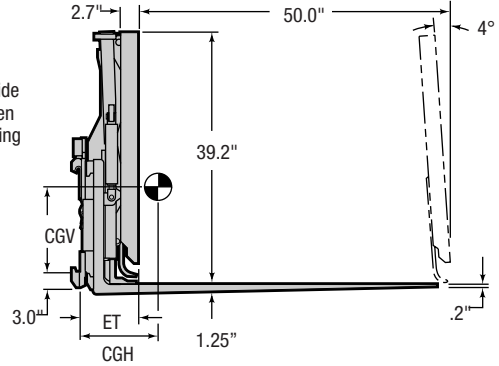
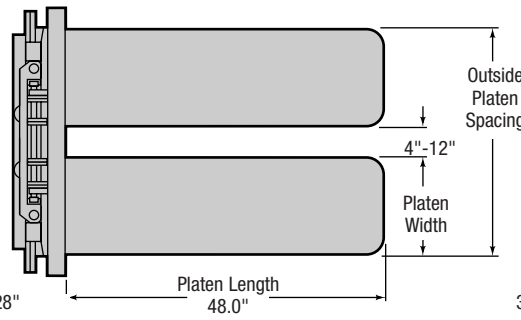


cascade
corporation

SHEET-SAV™ PUSH PULL



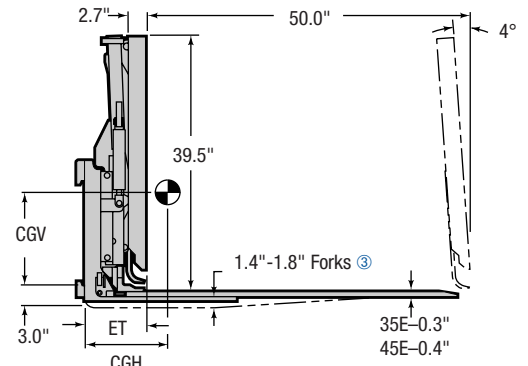
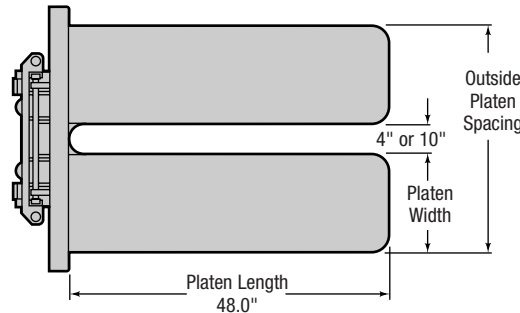
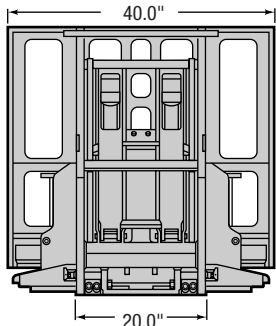
Minimum carriage width non-sideshifting – 28"
Minimum carriage width sideshifting – 36"



Capacity Lbs. @ 24" Load Center		Type	Platen Size (WxL)	Catalog Order No.	Mounting Class/ Lower Hook Type	Outside Platen Spacing	Weight		Effective Thickness ET	Horizontal Center of Gravity CGH	Vertical Center of Gravity CGV
lbs	kg						lbs	kg			
3,500	1,590	Sheet-Sav™ Sideshifting	18" x 48"	35E-PAS-A001 ①	II Bolt-On	40"-44"	1,395	633	9.0"	10.1"	8.2"
3,500	1,590	Sheet-Sav™ Sideshifting	15" x 48"	35E-PAS-A003 ①	II Bolt-On	34"-38"	1,330	604	9.0"	9.4"	8.8"
4,500	2,045	Sheet-Sav™ Sideshifting	18" x 48"	45E-PAS-A001 ①	II Bolt-On	40"-44"	1,395	633	9.0"	10.1"	8.2"
4,500	2,045	Sheet-Sav™ Sideshifting	15" x 48"	45E-PAS-A003 ①	II Bolt-On	34"-38"	1,330	604	9.0"	9.4"	8.8"

① This unit is solenoid equipped for the Sheet-Sav™ function. A two-function hydraulic supply is required. The sideshift and push/pull functions are actuated directly with the auxiliary valves. The Sheet-Sav™ function is actuated by depressing the solenoid button and then actuating the push/pull valve. The control knob with a push button is included.

IMPORTANT: Solenoid voltage must match truck voltage. Please specify truck voltage when ordering. Two truck auxiliary valves required, three hydraulic functions (one solenoid).
▶ Quick-Disconnect mounting also available.
▶ Class III mounting available (45E only).



Capacity Lbs. @ 24" Load Center		Type	Platen Size (WxL)	Catalog Order No.	Mounting Class/ Lower Hook Type	Min. Truck Carriage Width	Outside Platen Spacing	Weight		Effective Thickness ET	Horizontal Center of Gravity CGH	Vertical Center of Gravity CGV
lbs	kg							lbs	kg			
3,500	1,590	QFM	18" x 48"	35E-QPA-Q001 ②	II	31"	40" or 46"	935	425	9.3"	10.6"	11.4"
3,500	1,590	Sheet-Sav™	15" x 48"	35E-QPA-Q002 ②	II	31"	34" or 40"	905	411	9.3"	10.0"	11.7"
4,500	2,045	QFM	18" x 48"	45E-QPA-Q001 ②	II	31"	40" or 46"	965	438	9.3"	11.4"	10.9"
4,500	2,045	Sheet-Sav™	15" x 48"	45E-QPA-Q002 ②	II	31"	34" or 40"	935	425	9.3"	10.7"	11.4"

② This unit is solenoid equipped and may be controlled with a single auxiliary valve on the truck. **IMPORTANT:** Solenoid voltage must match truck voltage. Please specify truck voltage when ordering. One truck auxiliary valve required, two hydraulic functions (one solenoid).
▶ **IMPORTANT: QFM™ Push/Pulls must be mounted on standard forks to support the load and the push/pull.** Forks up to 1.8" thick and 40" to 46" long may be used. Recommended fork length is 42" with bottom taper. Forks must be spaced 20.5" to 25.5" apart, inside to inside.

▶ Class III mounting available (45E only).

Platen Selection

- ▶ **18" x 48" Platens:** Recommended for applications where push/pull will not be handling pallets. Provides 40" minimum width slipsheet base.
- ▶ **15" x 48" Platens:** Recommended for applications where push/pull will be used to handle pallets. Provides 34" minimum width slipsheet base.

QFM SPACER KIT

③ Spacers required for forks thicker than 1.5".

Model	Catalog Order No.
1.75" forks	SP175
1.8" forks	SP180

INSTALLATION KIT

Model	Catalog Order No.
PAS	685559
QPA	685558