



Efficiently Rotate High Capacity Loads

APPLICATIONS

80G and 100G Rotators are designed to give your driver the best possible visibility while quickly inverting loads. Ideal for foundries, machine shops and raw material industries where there is a necessity to efficiently dump or rotate high capacity loads.

FEATURES

- Proven Rugged Construction- Cascade's gear drive box and ring gear design have been proven to provide superior service life.
- Visibility- The G series Rotators have cutout mid sections allowing for superior visibility.
- Rotational Torque- High torque motor, ensures smooth, positive rotation of the load.
- Forks- Rotators may be ordered with standard forks, custom forks or without forks.

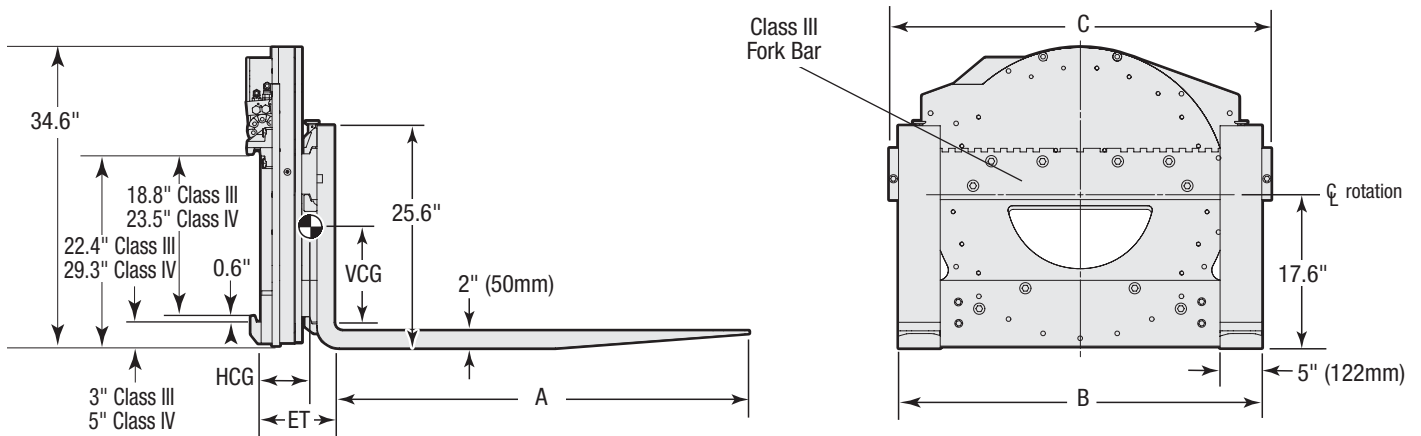
OPTIONS

- 180° Rotation Stop Group- Used when stopping rotation at precisely 180° is desirable.
- Customizable fork bars- Allowing for application specific fork spread.
- Quick-change Lower Mounting Hooks- Allow the rotator to be removed or installed in a matter of minutes without tools. (Quick-change hydraulic couplers available separately)
- Bin Retainer- Custom designed to clamp on top of bin to hold bin in place while rotating. Typically used when bin does not have fork pockets.
- Special fork sizes and configurations available.
- Side Stabilizers
- Fork Side Restraints



*Rotate, invert
and dump high
capacity loads.*

80G ROTATORS

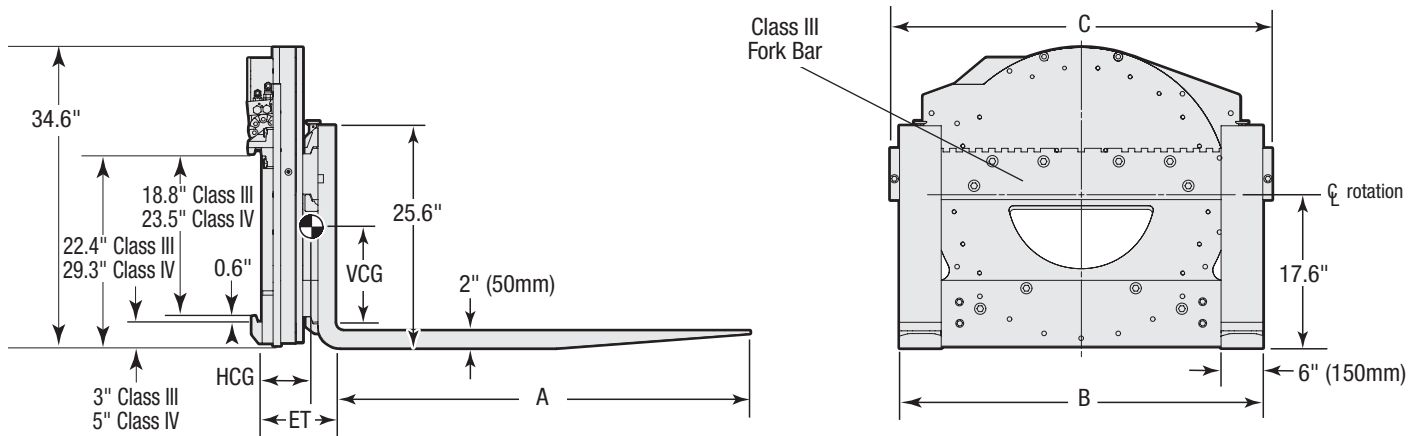


360° Rotation

Capacity @ 24" Load Center		Fork Length A	Maximum OTD Fork Spread B	Catalog Order No.	Mtg. Class	Mtg. Angle	Min. Truck Carriage Width	Weight		Effective Thickness ET	Horizontal Ctr. of Gravity HCG	Vertical Ctr. of Gravity VCG	Overall Width C
lbs	kg							lbs	kg				
①	①	N/A	42.0"	80G-RRB-10B	III	0°	37"	970	441	6.4"	3.2"	13.7"	44"
①	①	N/A	42.0"	80G-RRB-10C	IV	0°	37"	1,111	505	8.7"	5.0"	11.8"	44"
①	①	N/A	48.0"	80G-RRB-20B	III	0°	37"	999	454	6.4"	3.2"	13.6"	50"
①	①	N/A	48.0"	80G-RRB-20C	IV	0°	37"	1,140	518	8.7"	5.0"	11.7"	50"
①	①	N/A	60.0"	80G-RRB-30B	III	0°	37"	1,056	480	6.4"	3.3"	13.4"	62"
①	①	N/A	60.0"	80G-RRB-30C	IV	0°	37"	1,197	544	8.7"	5.2"	11.6"	62"
8,000	3,628	42.0"	42.0"	80G-RRB-13B	III	0°	37"	1,294	588	8.4"	6.6"	11.3"	44"
8,000	3,628	42.0"	42.0"	80G-RRB-13C	IV	0°	37"	1,434	652	10.7"	8.1"	9.6"	44"
8,000	3,628	42.0"	48.0"	80G-RRB-23B	III	0°	37"	1,322	601	8.4"	6.3"	11.6"	50"
8,000	3,628	42.0"	48.0"	80G-RRB-23C	IV	0°	37"	1,463	665	10.7"	8.1"	9.6"	50"
8,000	3,628	42.0"	60.0"	80G-RRB-33B	III	0°	37"	1,379	627	8.4"	6.5"	11.2"	62"
8,000	3,628	42.0"	60.0"	80G-RRB-33C	IV	0°	37"	1,520	691	10.7"	8.1"	9.5"	62"
8,000	3,628	48.0"	42.0"	80G-RRB-14B	III	0°	37"	1,327	603	8.4"	7.4"	11.0"	44"
8,000	3,628	48.0"	42.0"	80G-RRB-14C	IV	0°	37"	1,465	666	10.7"	9.0"	9.3"	44"
8,000	3,628	48.0"	48.0"	80G-RRB-24B	III	0°	37"	1,353	615	8.4"	7.4"	10.9"	50"
8,000	3,628	48.0"	48.0"	80G-RRB-24C	IV	0°	37"	1,496	680	10.7"	9.0"	9.3"	50"
8,000	3,628	48.0"	60.0"	80G-RRB-34B	III	0°	37"	1,412	642	8.4"	7.4"	10.9"	62"
8,000	3,628	48.0"	60.0"	80G-RRB-34C	IV	0°	37"	1,551	705	10.7"	8.9"	9.3"	62"
8,000	3,628	54.0"	42.0"	80G-RRB-15B	III	0°	37"	1,357	617	8.4"	8.5"	10.6"	44"
8,000	3,628	54.0"	42.0"	80G-RRB-15C	IV	0°	37"	1,498	681	10.7"	9.9"	9.0"	44"
8,000	3,628	54.0"	48.0"	80G-RRB-25B	III	0°	37"	1,386	630	8.4"	8.4"	10.6"	50"
8,000	3,628	54.0"	48.0"	80G-RRB-25C	IV	0°	37"	1,527	694	10.7"	9.9"	9.0"	50"
8,000	3,628	54.0"	60.0"	80G-RRB-35B	III	0°	37"	1,443	656	8.4"	8.3"	10.6"	62"
8,000	3,628	54.0"	60.0"	80G-RRB-35C	IV	0°	37"	1,584	720	10.7"	9.8"	9.0"	62"
8,000	3,628	60.0"	42.0"	80G-RRB-16B	III	0°	37"	1,390	632	8.4"	9.6"	10.4"	44"
8,000	3,628	60.0"	42.0"	80G-RRB-16C	IV	0°	37"	1,531	696	10.7"	10.9"	8.7"	44"
8,000	3,628	60.0"	48.0"	80G-RRB-26B	III	0°	37"	1,419	645	8.4"	9.4"	10.4"	50"
8,000	3,628	60.0"	48.0"	80G-RRB-26C	IV	0°	37"	1,558	708	10.7"	10.9"	8.7"	50"
8,000	3,628	60.0"	60.0"	80G-RRB-36B	III	0°	37"	1,476	671	8.4"	9.3"	10.4"	62"
8,000	3,628	60.0"	60.0"	80G-RRB-36C	IV	0°	37"	1,615	734	10.7"	10.7"	8.7"	62"

► Optional motors providing faster rotation available. Reduced torque will result.

① Rotator capacity rating limited by fork size, see capacity chart on back page for more information.



360° Rotation

Capacity @ 24" (600mm) Load Center		Fork Length	Maximum OTO Fork Spread	Catalog Order No.	Mfg. Class	Mfg. Angle	Min. Truck Carriage Width	Weight		Effective Thickness	Horizontal Ctr. of Gravity	Vertical Ctr. of Gravity	Overall Width
lbs	kg	A	B					lbs	kg	ET	HCG	VCG	C
①	①	N/A	42.0"	100G-RRB-10B	III	0°	37"	1,025	466	6.3"	3.2"	13.5"	44"
①	①	N/A	42.0"	100G-RRB-10C	IV	0°	37"	1,166	530	8.6"	5.0"	11.6"	44"
①	①	N/A	48.0"	100G-RRB-20B	III	0°	37"	1,067	485	6.3"	3.3"	13.4"	50"
①	①	N/A	48.0"	100G-RRB-20C	IV	0°	37"	1,206	548	8.6"	5.1"	11.5"	50"
①	①	N/A	60.0"	100G-RRB-30B	III	0°	37"	1,137	517	6.3"	3.4"	13.2"	62"
①	①	N/A	60.0"	100G-RRB-30C	IV	0°	37"	1,276	580	8.6"	5.3"	11.4"	62"
10,000	4,535	42.0"	42.0"	100G-RRB-13B	III	0°	37"	1,432	651	8.3"	6.9"	10.8"	44"
10,000	4,535	42.0"	42.0"	100G-RRB-13C	IV	0°	37"	1,571	714	10.6"	8.5"	9.2"	44"
10,000	4,535	42.0"	48.0"	100G-RRB-23B	III	0°	37"	1,472	669	8.3"	6.9"	10.8"	50"
10,000	4,535	42.0"	48.0"	100G-RRB-23C	IV	0°	37"	1,613	733	10.6"	8.5"	9.2"	50"
10,000	4,535	42.0"	60.0"	100G-RRB-33B	III	0°	37"	1,542	701	8.3"	6.8"	10.8"	62"
10,000	4,535	42.0"	60.0"	100G-RRB-33C	IV	0°	37"	1,683	765	10.6"	8.5"	9.1"	62"
10,000	4,535	48.0"	42.0"	100G-RRB-14B	III	0°	37"	1,454	661	8.3"	7.5"	10.6"	44"
10,000	4,535	48.0"	42.0"	100G-RRB-14C	IV	0°	37"	1,593	724	10.6"	9.1"	9.0"	44"
10,000	4,535	48.0"	48.0"	100G-RRB-24B	III	0°	37"	1,494	679	8.3"	7.4"	10.6"	50"
10,000	4,535	48.0"	48.0"	100G-RRB-24C	IV	0°	37"	1,635	743	10.6"	9.1"	9.0"	50"
10,000	4,535	48.0"	60.0"	100G-RRB-34B	III	0°	37"	1,564	711	8.3"	7.4"	10.6"	62"
10,000	4,535	48.0"	60.0"	100G-RRB-34C	IV	0°	37"	1,703	774	10.6"	9.0"	9.0"	62"
10,000	4,535	54.0"	42.0"	100G-RRB-15B	III	0°	37"	1,487	676	8.3"	8.4"	10.4"	44"
10,000	4,535	54.0"	42.0"	100G-RRB-15C	IV	0°	37"	1,626	739	10.6"	9.9"	8.7"	44"
10,000	4,535	54.0"	48.0"	100G-RRB-25B	III	0°	37"	1,529	695	8.3"	8.3"	10.4"	50"
10,000	4,535	54.0"	48.0"	100G-RRB-25C	IV	0°	37"	1,668	758	10.6"	9.9"	8.7"	50"
10,000	4,535	54.0"	60.0"	100G-RRB-35B	III	0°	37"	1,599	727	8.3"	8.2"	10.4"	62"
10,000	4,535	54.0"	60.0"	100G-RRB-35C	IV	0°	37"	1,738	790	10.6"	9.8"	8.7"	62"
10,000	4,535	60.0"	42.0"	100G-RRB-16B	III	0°	37"	1,542	701	8.3"	9.9"	9.9"	44"
10,000	4,535	60.0"	42.0"	100G-RRB-16C	IV	0°	37"	1,723	783	10.6"	11.3"	8.3"	44"
10,000	4,535	60.0"	48.0"	100G-RRB-26B	III	0°	37"	1,584	720	8.3"	9.8"	9.9"	50"
10,000	4,535	60.0"	48.0"	100G-RRB-26C	IV	0°	37"	1,723	783	10.6"	11.3"	8.3"	50"
10,000	4,535	60.0"	60.0"	100G-RRB-36B	III	0°	37"	1,654	752	8.3"	9.6"	9.9"	62"
10,000	4,535	60.0"	60.0"	100G-RRB-36C	IV	0°	37"	1,793	815	10.6"	11.1"	8.3"	62"

► Optional motors providing faster rotation available. Reduced torque will result.

① Rotator capacity rating limited by fork size, see capacity chart on back page for more information.

CAPACITY CHART

Capacity at 24" Load Center (600mm) Fork Size TxW											
Model	Class	5" x 1.75"	122 x 45 mm	5" x 2"	122 x 50 mm	6" x 2"	150 x 50 mm	6" x 2.5"	150 x 65 mm	7" x 2"	180 x 50 mm
80G	III	6460 lbs	2930 kg	8000 lbs	3629 kg	8000 lbs	3629 kg	8000 lbs	3629 kg	8000 lbs	3629 kg
100G	III	6460 lbs	2930 kg	8075 lbs	3663 kg	10000 lbs	4536 kg	10000 lbs	4536 kg	10000 lbs	4536 kg

INSTALLATION KIT

	Catalog Order No.
#6 JIC	659245

HYDRAULIC FUNCTIONS

Hydraulic Functions	Truck Aux. Valves Required
1	1

FORK RESTRAINT KIT

Reduces Fork OTO:	Class	Catalog Order No.
50 mm Total	III	Consult Cascade

HYDRAULIC FLOW & PRESSURE

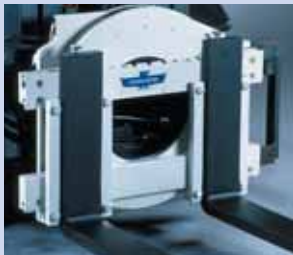
Minimum Flow	Recommended Flow	Maximum Flow	Maximum Pressure
5 GPM	10 GPM	15 GPM	2300 psi

ROTATOR SPECIFICATIONS

Model	Rotator Speed	Rotator Torque
80G	5.2 RPM @ 15 GPM	73,000 inch-pounds
100G	4.1 RPM @ 15 GPM	98,000 inch-pounds

- ▶ Optional motors providing increased torque are available. Reduced speed will result.

OPTIONS AND ACCESSORIES



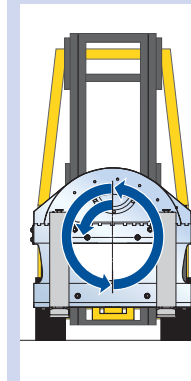
Fork Restraints

Used to limit fork movement during rotation.



Hydraulic Bin Retainer

Custom designed to clamp on top of bin to hold bin in place while rotating. Typically used when bin does not have fork pockets.



Electronic Rotational Control

Provides 90° and 180° stops during 360° rotation, which automatically stops load at each quadrant of rotation. (Factory Installed)

Foundry Options 80G/100G

In foundry applications that will experience molten metal splash and high heat, the basic foundry package is required. Consult Cascade for pricing information on the following options:

Basic Foundry Rotator includes:

- Solid face plate (without visibility cutout) hold on forks or custom front end when specified.
- High Temperature Grease.
- High temperature seals in hydraulic motor.

Optional Modifications to Foundry Package:

- Spacers for forks or other devices when bolted directly to the faceplate to prevent excessive thermal transfer into the ring gear.
- Optional splash guard helps protect motor and bearing assembly from molten metal splashes.
- Larger motors for high torque, low speed operation.

