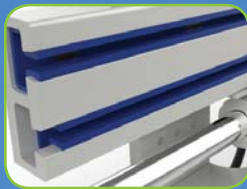
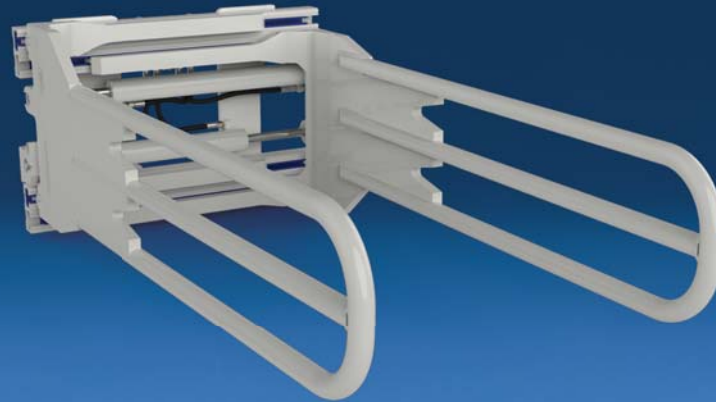


For Efficient Handling Large Blocks of Foam Rubber



No maintenance bearings with 10,000 hour warranty



True centering key for precise and secure mounting



Standard adjustable pressure relief in clamp and sideshift functions



Industry leading visibility through frame

APPLICATIONS

For handling large blocks of foam rubber or other light weight volume products like insulation materials. The high visibility tubular arms are strong, but smooth, to avoid product damage.

J-SERIES FEATURES

Industry-leading visibility.

Efficient hydraulic system which minimizes energy consumption and maximizes performance.

- Clamp and backhand protection.
- Flow divider for equal arm movement.
- Top-mounted hydraulic cartridges and test port for ease of access and adjustment.
- Sideshift circuit relief optimizes sideshift speed and performance.

Rugged design for optimal strength, durability and performance.

- Center mounted hardened replaceable frame wear segment.
- High strength steel frame.
- Lubrication-free, full length UHMW bearings.
- High strength steel castings.
- Maximum clamp force for secure handling.

Designed for convenience and performance.

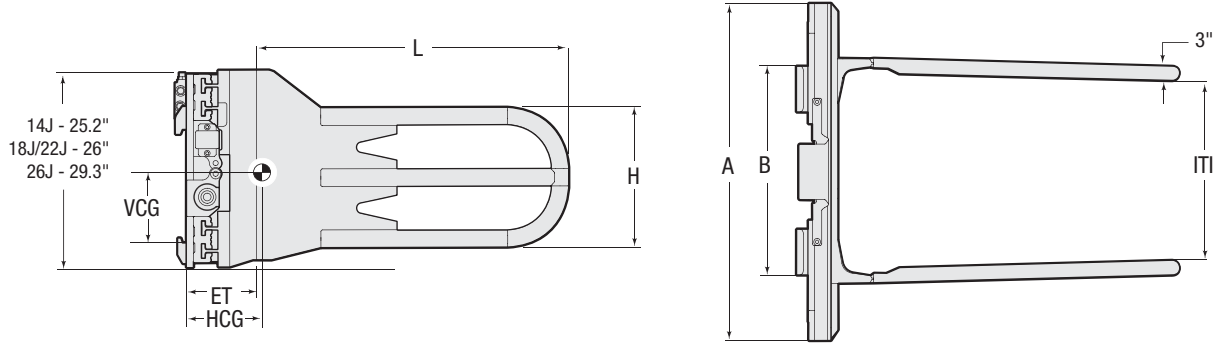
- Integrated true centering key for precise and secure installation.
- Available in two pressure offerings to match attachment to truck hydraulic system.

UNIQUE FEATURE

- **Arms are fabricated from special thick walled tubing for reliable, rigid operation.**

OPTIONS

- Special frame widths and opening ranges.
- High pressure and low pressure hydraulics systems.
- Other arm dimensions.
- Independent arm control.
- Regeneration valve (faster opening speed for low flow electric trucks).
- External sideshifter mounting.
- Full width bolt-on wear strips to protect the frame.
- Valve guard.
- Factory installed load backrest.
- Bumper/Cylinder cover.
- Quick Disconnect Mounting Kit.



Catalog Order No.	Capacity@ 24" (600 mm) Load Center		Opening Range ①	Mtg. Class	Arm Size	Weight		Overall Width		Effective Thickness	Horizontal Ctr. of Gravity	Vertical Ctr. of Gravity
	lbs	kg				lbs	kg	A	B			
14J-FMS-2A-0120	3,200	1,440	23.2"-83.1"	II	70.9" x 15.7"	944	429	45.3"	26.4"	4.5"	15.4"	10.1"
18J-FMS-2A-0120	4,200	1,920	23.6"-83.9"	II	70.9" x 15.7"	1,030	468	45.3"	32.4"	4.8"	14.5"	10.4"
22J-FMS-2A-0120	5,000	2,280	23.6"-83.9"	II	70.9" x 15.7"	1,103	501	48.2"	32.4"	5.1"	14.3"	10.4"
26J-FMS-3A-0120	6,100	2,760	27.8"-99.2"	III	70.9" x 15.7"	1,363	620	53.1"	36.4"	5.8"	12.8"	12.1"

① Published opening range limits nominal clamp dimensions only and may not accommodate loads with same or close to same dimension. Consult Cascade for further assistance.

- ▶ Valve configuration is RH Clamp, LH Sideshift (view from operator). Optional reverse valve configuration available.
- ▶ Quick Disconnect mounting available.