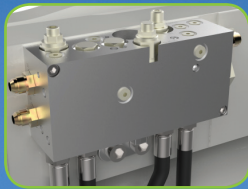
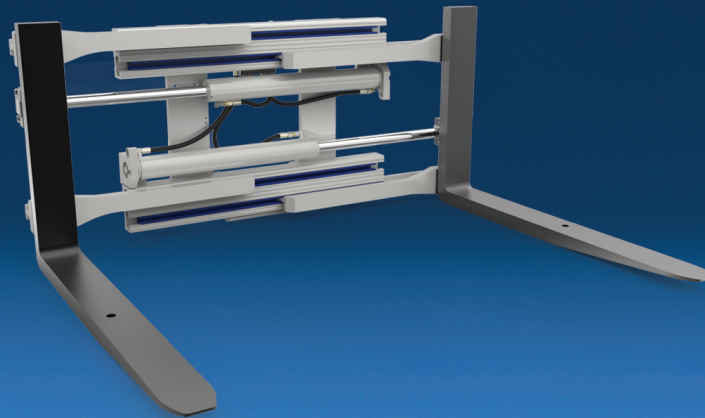
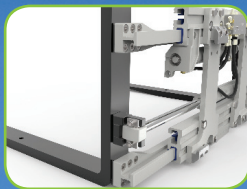


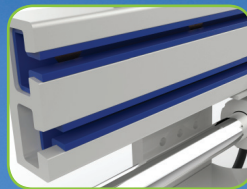
Handle Pallets and Clamp Loads With One Versatile Attachment



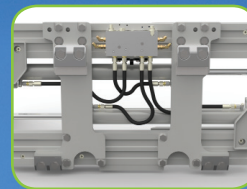
Standard adjustable pressure relief in clamp and sideshift functions



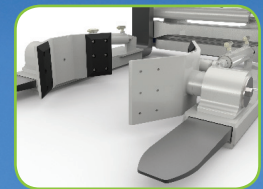
Bolt-on fork arms for ease of installation and removal



No maintenance bearings with 10,000 hour warranty



Industry leading visibility through frame



Many additional fork configurations and accessories

APPLICATIONS

The Cascade J-Series Fork Clamp is ideal for handling a wide variety of loads. Awkward loads such as crates, bales, and tyres can be clamped between the forks. The fork clamp also functions as a fork positioner, allowing the truck operator to quickly reposition the forks to fit varying pallet or container configurations. Forks can be opened wider than the frame width—something a normal fork positioner cannot do—which makes handling wide loads easier. Ideal for food processing, automotive, manufacturing, recycling, foundries and general manufacturing operations.

J-SERIES FEATURES

Industry-leading visibility.

Efficient hydraulic system which minimizes energy consumption and maximizes performance.

- Clamp and backhand protection.
- Flow divider for equal arm movement.
- Top-mounted hydraulic cartridges and test port for ease of access and adjustment.
- Sideshift circuit relief optimizes sideshift speed and performance.

Rugged design for optimal strength, durability and performance.

- Center mounted hardened replaceable frame wear segment. *(Except for revolving models).*
- High strength steel frame.
- Lubrication-free, full length UHMW bearings.

Designed for convenience and performance.

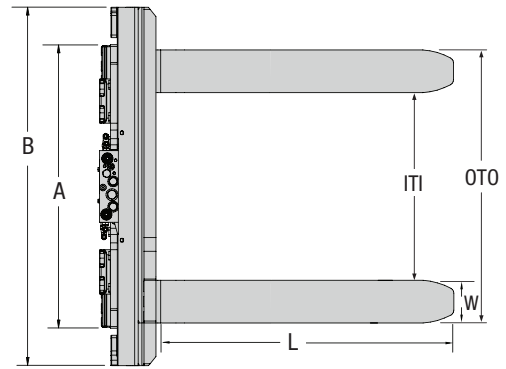
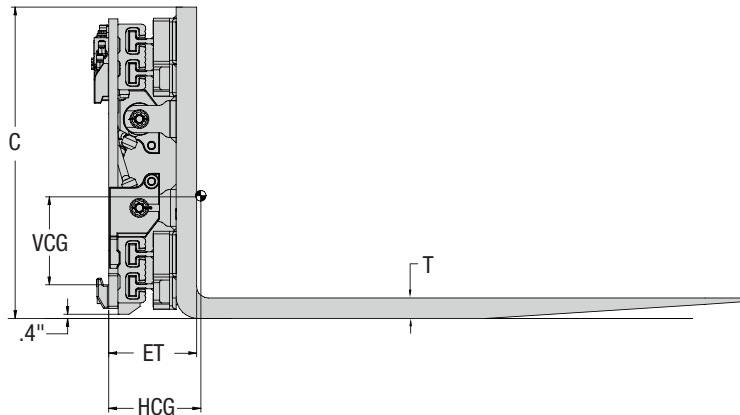
- Integrated true centering key for precise and secure installation
- Available in two pressure offerings to match attachment to truck hydraulic system.

UNIQUE ARM FEATURE

- Bolt-on pallet fork arms.

OPTIONS

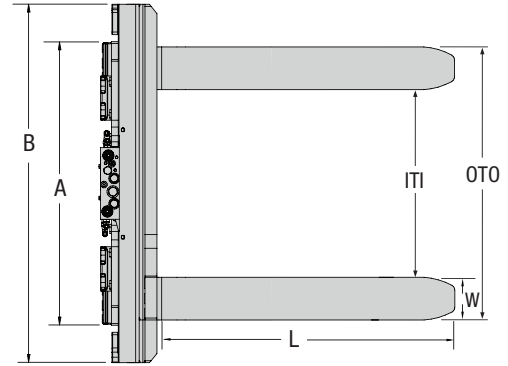
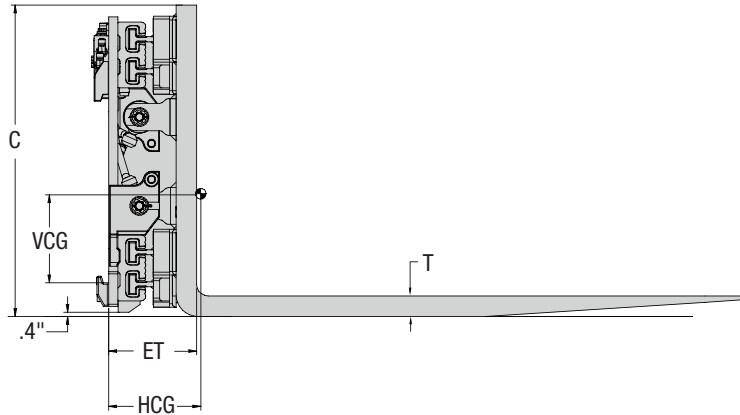
- Custom Forks available.
- Drop Shank Forks.
- Slip-On 2-Drum and 4-Drum Arms.
- Slip-On Container Handling Pads.
- Slip-On Rubber Faced Multi-Purpose Pads.
- Independent arm control.
- Regeneration valve (faster opening speed for low flow electric trucks).
- External sideshifting mounting available.
- Full-width lower frame wear strips.
- Valve guard.
- Bumper/Cylinder cover.
- Factory installed load backrest.
- Quick Disconnect Mounting Kit.



Catalog Order No.	Clamp Capacity@ 24" (600 mm) Load Center		Opening Range ①	Mfg. Class	Fork Size (in.)	Weight		Hook Spread	Effective Thickness	Horizontal Ctr. of Gravity	Vertical Ctr. of Gravity	Frame Width	Overall Height
	lbs	kg				lbs	kg						
14J-CFB-2A-0220	2,600	1,200	17.1"-61.6"	II	36x3.9x1.6	603	274	26.4"	6.9"	5.7"	8.2"	34"	26"
14J-CFB-2A-0225	2,600	1,200	17.1"-61.6"	II	42x3.9x1.6	624	284	26.4"	6.9"	6.8"	7.9"	34"	26"
14J-CFB-2A-0230	2,600	1,200	17.1"-61.6"	II	48x3.9x1.6	645	293	26.4"	6.9"	8.0"	7.6"	34"	26"
18J-CFB-2A-0220	3,500	1,600	16.4"-65.6"	II	36x4.8x1.6	733	333	32.4"	7.2"	6.0"	8.5"	39"	27"
18J-CFB-2A-0225	3,500	1,600	16.4"-65.6"	II	42x4.8x1.6	759	345	32.4"	7.2"	7.0"	8.1"	39"	27"
18J-CFB-2A-0230	3,500	1,600	16.4"-65.6"	II	48x4.8x1.6	784	357	32.4"	7.2"	8.2"	7.8"	39"	27"
22J-CFB-2A-0220	4,200	1,900	16.9"-68.1"	II	36x4.8x1.8	775	352	32.4"	7.6"	6.3"	8.4"	39"	27"
22J-CFB-2A-0225	4,200	1,900	16.9"-68.1"	II	42x4.8x1.8	804	365	32.4"	7.6"	7.4"	8.0"	39"	27"
22J-CFB-2A-0230	4,200	1,900	16.9"-68.1"	II	48x4.8x1.8	833	379	32.4"	7.6"	8.7"	7.7"	39"	27"
22J-CFB-3A-0220	4,200	1,900	16.9"-68.1"	III	36x4.8x1.8	833	379	32.4"	9.1"	7.4"	8.8"	39"	27"
22J-CFB-3A-0225	4,200	1,900	16.9"-68.1"	III	42x4.8x1.8	862	392	32.4"	9.1"	8.4"	8.4"	39"	27"
22J-CFB-3A-0230	4,200	1,900	16.9"-68.1"	III	48x4.8x1.8	890	405	32.4"	9.1"	9.6"	8.1"	39"	27"

① Published opening range limits nominal clamp dimensions only and may not accommodate loads with same or close to same dimension. Consult Cascade for further assistance.

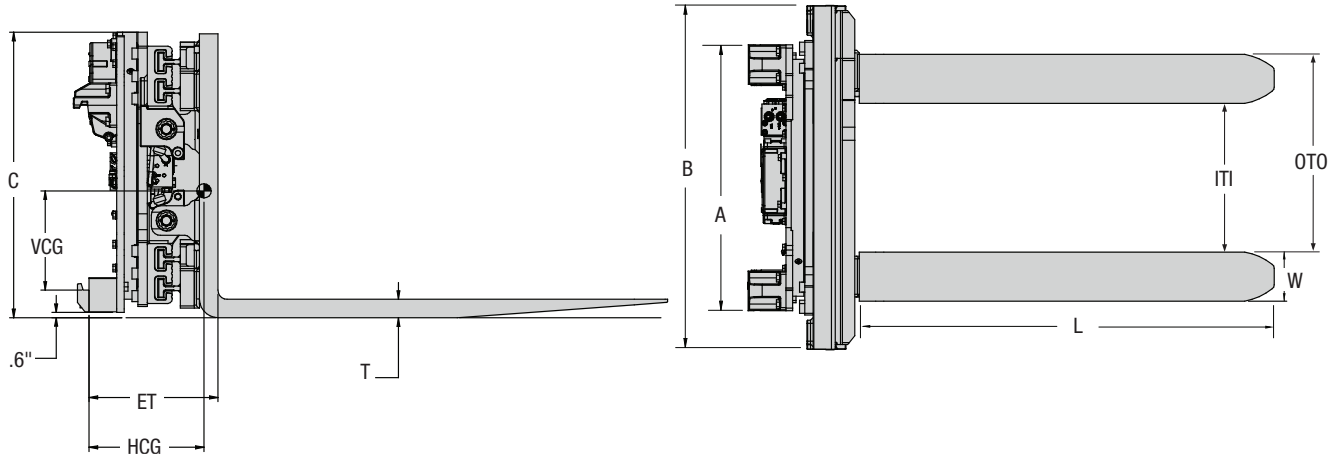
- ▶ Valve configuration is RH Clamp, LH Sideshift (view from operator). Optional reverse valve configuration available.
- ▶ Quick Disconnect mounting available.



Catalog Order No.	Capacity@ 24" (600 mm) Load Center		Opening Range ①	Mtg. Class	Fork Size (in.)	Weight		Hook Spread	Effective Thickness	Horizontal Ctr. of Gravity	Vertical Ctr. of Gravity	Overall Width	Overall Height
	lbs	kg				ITI	LxWxT						
14J-CFS-2A-0220	2,600	1,200	17.1"-61.6"	II	36x3.9x1.6	602	274	26.4"	6.9"	5.7"	8.2"	34"	26.1"
14J-CFS-2A-0225	2,600	1,200	17.1"-61.6"	II	42x3.9x1.6	624	284	26.4"	6.9"	6.8"	7.9"	34"	26.1"
14J-CFS-2A-0230	2,600	1,200	17.1"-61.6"	II	48x3.9x1.6	644	293	26.4"	6.9"	8.0"	7.5"	34"	26.1"
18J-CFS-2A-0220	3,500	1,600	17.1"-65.6"	II	36x4.8x1.6	733	333	32.4"	7.2"	6.0"	8.5"	39"	26.8"
18J-CFS-2A-0225	3,500	1,600	16.4"-65.6"	II	42x4.8x1.6	759	345	32.4"	7.2"	7.0"	8.1"	39"	26.8"
18J-CFS-2A-0230	3,500	1,600	16.4"-65.6"	II	48x4.8x1.6	784	357	32.4"	7.2"	8.2"	7.8"	39"	26.8"
22J-CFS-2A-0220	4,200	1,900	16.9"-68.1"	II	36x4.8x1.8	775	352	32.4"	7.6"	6.3"	8.4"	39"	26.8"
22J-CFS-2A-0225	4,200	1,900	16.9"-68.1"	II	42x4.8x1.8	804	365	32.4"	7.6"	7.4"	8.0"	39"	26.8"
22J-CFS-2A-0230	4,200	1,900	16.9"-68.1"	II	48x4.8x1.8	833	379	32.4"	7.6"	8.7"	7.7"	39"	26.8"
22J-CFS-3A-0220	4,200	1,900	16.9"-68.1"	III	36x4.8x1.8	833	379	32.4"	9.1"	7.4"	8.8"	39"	26.8"
22J-CFS-3A-0225	4,200	1,900	16.9"-68.1"	III	42x4.8x1.8	862	392	32.4"	9.1"	8.4"	8.4"	39"	26.8"
22J-CFS-3A-0230	4,200	1,900	16.9"-68.1"	III	48x4.8x1.8	890	405	32.4"	9.1"	9.6"	8.1"	39"	26.8"

① Published opening range limits nominal clamp dimensions only and may not accommodate loads with same or close to same dimension. Consult Cascade for further assistance.

- ▶ Valve configuration is RH Clamp, LH Sideshift (view from operator). Optional reverse valve configuration available.
- ▶ Quick Disconnect mounting available.



360° ROTATION

Catalog Order No.	Capacity@ 24" (600 mm) Load Center		Opening Range ①	Mtg. Class	Mtg. Angle	Fork Size (in.)	Weight		Hook Spread	Effective Thickness	Horizontal Ctr. of Gravity	Vertical Ctr. of Gravity	Overall Width	Overall Height
	lbs	kg					lbs	kg						
18J-CFR-2A-0220	3,500	1,600	16.4"-65.6"	II	0°	36x4.8x2	1,234	561	32"	11.9"	8.0"	11.3"	39"	31"
18J-CFR-2A-0225	3,500	1,600	16.4"-65.6"	II	0°	42x4.8x2	1,267	576	32"	11.9"	8.0"	10.9"	39"	31"
18J-CFR-2A-0230	3,500	1,600	16.4"-65.6"	II	0°	48x4.8x2	1,308	595	32"	11.9"	9.0"	10.6"	39"	31"
22J-CFR-2A-0220	4,200	1,900	17.0"-68.4"	II	0°	36x4.8x2	1,263	573	32"	12.0"	7.5"	11.3"	41"	31"
22J-CFR-2A-0225	4,200	1,900	17.0"-68.4"	II	0°	42x4.8x2	1,295	589	32"	12.0"	8.3"	11.0"	41"	31"
22J-CFR-2A-0230	4,200	1,900	17.0"-68.4"	II	0°	48x4.8x2	1,295	603	32"	12.0"	9.1"	10.7"	41"	31"
22J-CFR-3A-0220	4,200	1,900	17.0"-68.4"	III	0°	36x4.8x2	1,285	584	32"	13.2"	8.5"	11.3"	41"	31"
22J-CFR-3A-0225	4,200	1,900	17.0"-68.4"	III	0°	42x4.8x2	1,317	599	32"	13.2"	9.3"	11.0"	41"	31"
22J-CFR-3A-0230	4,200	1,900	17.0"-68.4"	III	0°	48x4.8x2	1,329	604	32"	13.2"	10.1"	10.7"	41"	31"
26J-CFR-3A-0220	5,100	2,300	17.3"-71.4"	III	0°	36x5.9x2	1,526	694	32"	13.7"	9.0"	11.3"	41"	31"
26J-CFR-3A-0225	5,100	2,300	17.3"-71.4"	III	0°	42x5.9x2	1,593	724	32"	13.7"	11.0"	10.4"	41"	31"
26J-CFR-3A-0230	5,100	2,300	17.3"-71.4"	III	0°	48x5.9x2	1,634	743	32"	13.7"	11.0"	10.4"	41"	31"

① Published opening range limits nominal clamp dimensions only and may not accommodate loads with same or close to same dimension. Consult Cascade for further assistance.

- ▶ Valve configuration is RH Clamp, LH Sideshift (view from operator). Optional reverse valve configuration available.
- ▶ Quick Disconnect mounting available.