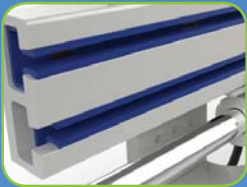
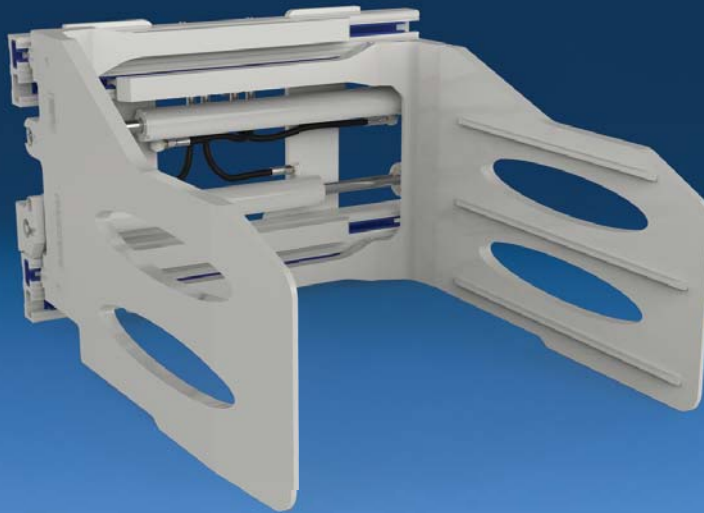


For Efficient and Economical Bale Handling



No maintenance bearings with 10,000 hour warranty



Optional wear strips under frame and arms



True centering key for precise and secure mounting



Standard adjustable pressure relief in clamp and sideshift functions



Industry leading visibility through frame

APPLICATIONS

Cascade Bale clamps can efficiently and economically handle nearly any type of baled product including cotton, flax, wool, synthetic textile fibres, hay, rags and recycled clothing.

J-SERIES FEATURES

Industry-leading visibility.

Efficient hydraulic system which minimizes energy consumption and maximizes performance.

- Clamp and backhand protection.
- Flow divider for equal arm movement.
- Top-mounted hydraulic cartridges and test port for ease of access and adjustment.
- Sideshift circuit relief optimizes sideshift speed and performance.

Rugged design for optimal strength, durability and performance.

- Center mounted hardened replaceable frame wear segment. *(Except for revolving models).*
- High strength steel frame.
- Lubrication-free, full length UHMW bearings.
- High strength steel castings.
- Maximum clamp force for secure handling.

Designed for convenience and performance.

- Integrated true centering key for precise and secure installation.
- Available in two pressure offerings to match attachment to truck hydraulic system.

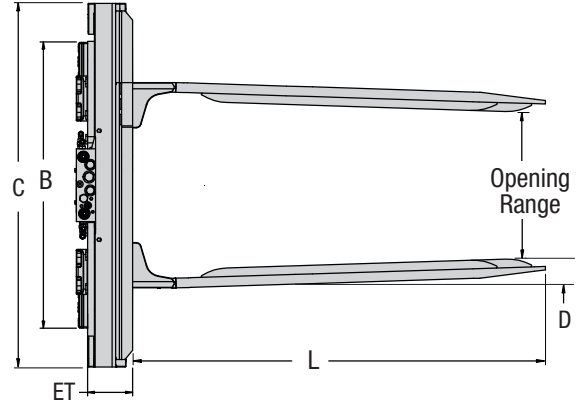
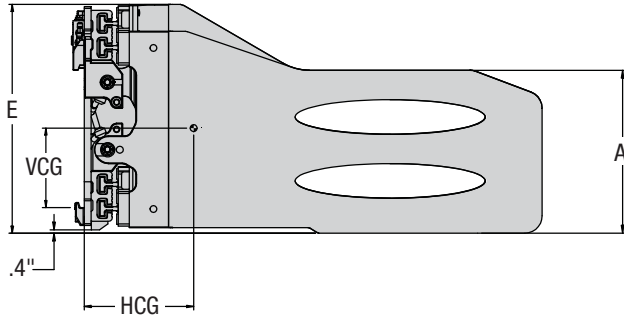
UNIQUE ARM FEATURES

- **Integral welded corner casting for added strength.**
- OR
- **Bolt-on arm offering added for flexibility.**
- **Standard 3 rib facing with elliptical cutouts for optimal load engagement.**

OPTIONS

- Special frame widths and opening ranges.
- High pressure and low pressure hydraulics systems.
- Basic, sideshifting and revolving (360°) models.
- Other arm dimensions.
- Bale arm facing options: Round bar, serrated rib or buttons.
- Independent arm control.
- Regeneration valve (faster opening speed for low flow electric trucks).
- External sideshifter mounting.
- Wear Strips under arms and frame.
- Valve guard.
- Factory installed load backrest.
- Bumper/Cylinder cover.
- Quick Disconnect Mounting Kit.

J-SERIES NON-SIDESHIFTING BALE CLAMP BOLT-ON ARMS

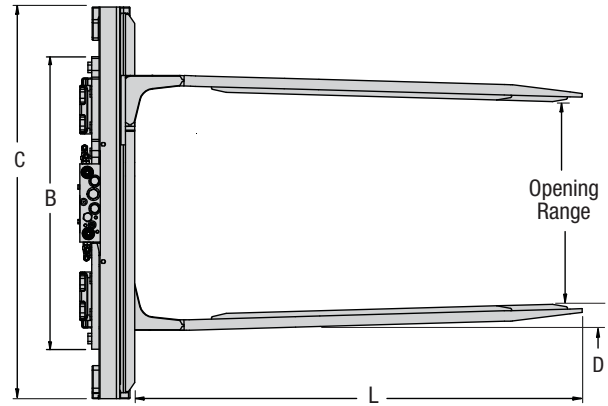
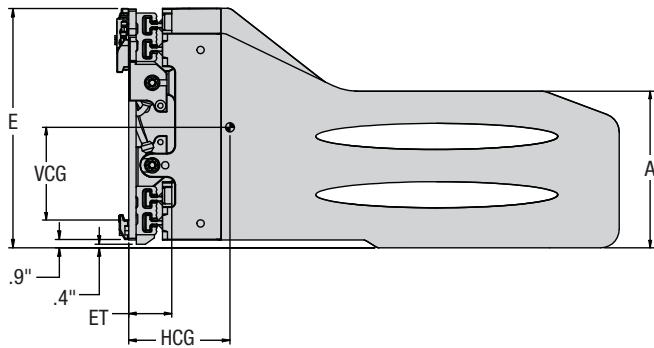


Catalog Order No.	Capacity@ 24" (600 mm) Load Center		Opening Range ①	Mtg. Class	Arm Height A	Arm Length L	Weight		Hook Spread B	Effective Thickness ET	Horizontal Ctr. of Gravity HCG	Vertical Ctr. of Gravity VCG	Overall Width C	Arm Thickness D	Overall Height E
	lbs	kg					lbs	kg							
14J-BCB-2A-0820	2,600	1,200	18.1"-63.8"	II	16.5"	28"	740	336	26.4"	4.8"	7.8"	9.2"	37"	2.2"	25.2"
14J-BCB-2A-0825	2,600	1,200	17.7"-63.4"	II	16.5"	32"	774	352	26.4"	4.8"	8.9"	9.0"	37"	2.4"	25.2"
14J-BCB-2A-0830	2,600	1,200	17.7"-63.4"	II	16.5"	35"	809	368	26.4"	4.8"	10.1"	8.8"	37"	2.4"	25.2"
14J-BCB-2A-0835	2,600	1,200	17.3"-63.0"	II	16.5"	39"	839	381	26.4"	4.8"	11.3"	8.7"	37"	2.6"	25.2"
18J-BCB-2A-0820	3,500	1,600	18.9"-69.8"	II	18.5"	28"	854	388	32.4"	5.1"	7.8"	9.6"	41"	2.2"	26.0"
18J-BCB-2A-0825	3,500	1,600	18.5"-69.4"	II	18.5"	32"	881	401	32.4"	5.1"	8.7"	9.5"	41"	2.4"	26.0"
18J-BCB-2A-0830	3,500	1,600	18.1"-69.0"	II	18.5"	35"	916	416	32.4"	5.1"	9.8"	9.4"	41"	2.6"	26.0"
18J-BCB-2A-0835	3,500	1,600	17.7"-68.6"	II	18.5"	39"	949	431	32.4"	5.1"	10.9"	9.3"	41"	2.8"	26.0"
18J-BCB-2A-0840	3,500	1,600	16.9"-67.8"	II	18.5"	47"	1,049	477	32.4"	5.1"	13.5"	9.1"	41"	3.1"	26.0"
22J-BCB-2A-0820	4,200	1,900	19.1"-72.6"	II	18.5"	28"	912	414	32.4"	5.2"	7.8"	9.7"	43"	2.4"	26.0"
22J-BCB-2A-0825	4,200	1,900	18.7"-72.2"	II	18.5"	32"	955	434	32.4"	5.2"	8.7"	9.5"	43"	2.6"	26.0"
22J-BCB-2A-0830	4,200	1,900	18.7"-72.2"	II	18.5"	35"	981	446	32.4"	5.2"	9.8"	9.4"	43"	2.6"	26.0"
22J-BCB-2A-0835	4,200	1,900	18.3"-71.8"	II	18.5"	39"	1,018	463	32.4"	5.2"	11.0"	9.3"	43"	2.8"	26.0"
22J-BCB-2A-0840	4,200	1,900	17.6"-71.0"	II	18.5"	47"	913	415	32.4"	5.2"	10.4"	9.5"	43"	3.1"	26.0"
22J-BCB-3A-0820	4,200	1,900	19.1"-72.6"	III	18.5"	28"	970	441	32.4"	6.8"	7.3"	9.9"	43"	2.4"	26.0"
22J-BCB-3A-0825	4,200	1,900	18.7"-72.2"	III	18.5"	32"	1,000	455	32.4"	6.8"	8.2"	9.8"	43"	2.6"	26.0"
22J-BCB-3A-0830	4,200	1,900	18.7"-72.2"	III	18.5"	35"	1,039	472	32.4"	6.8"	9.3"	9.7"	43"	2.6"	26.0"
22J-BCB-3A-0835	4,200	1,900	18.3"-71.8"	III	18.5"	39"	1,076	489	32.4"	6.8"	10.4"	9.6"	43"	2.8"	26.0"
22J-BCB-3A-0840	4,200	1,900	17.6"-71.0"	III	18.5"	47"	971	441	32.4"	6.8"	9.7"	9.8"	43"	3.1"	26.0"
26J-BCB-3A-0820	5,100	1,820	22.4"-76.2"	III	19.7"	28"	1,145	520	36.4"	6.0"	7.7"	11.3"	41"	2.6"	29.3"
26J-BCB-3A-0825	5,100	1,820	22.4"-76.2"	III	19.7"	32"	1,190	541	36.4"	6.0"	8.7"	11.2"	41"	2.6"	29.3"
26J-BCB-3A-0830	5,100	2,300	22.0"-75.8"	III	19.7"	35"	1,236	562	36.4"	6.0"	9.7"	11.0"	41"	2.8"	29.3"
26J-BCB-3A-0835	5,100	2,300	22.0"-75.8"	III	19.7"	39"	1,273	579	36.4"	6.0"	10.7"	10.9"	41"	2.8"	29.3"
26J-BCB-3A-0840	5,100	2,300	21.3"-75.0"	III	19.7"	47"	742	337	36.4"	4.5"	7.4"	9.2"	41"	3.1"	29.3"

① Published opening range limits nominal clamp dimensions only and may not accommodate loads with same or close to same dimension. Consult Cascade for further assistance.

- ▶ Valve configuration is RH Clamp, LH Sideshift (view from operator) Optional reverse valve configuration available.
- ▶ Quick Disconnect mounting available.

J-SERIES NON-SIDESHIFTING BALE CLAMP INTEGRAL ARMS



Catalog Order No.	Capacity@ 24" (600 mm) Load Center		Opening Range ③	Mtg. Class	Arm Height	Arm Length	Weight		Hook Spread	Effective Thickness	Horizontal Ctr. of Gravity	Vertical Ctr. of Gravity	Overall Width	Arm Thickness	Overall Height
	lbs	kg					ITI	A							
14J-BCB-2A-0220	2,600	1,200	18.1"-63.8"	II	16.5"	28"	715	325	26.4"	4.5"	7.8"	9.1"	37"	2.2"	25.2"
14J-BCB-2A-0225	2,600	1,200	17.7"-63.4"	II	16.5"	32"	750	341	26.4"	4.5"	8.9"	8.9"	37"	2.4"	25.2"
14J-BCB-2A-0230	2,600	1,200	17.7"-63.4"	II	16.5"	35"	785	357	26.4"	4.5"	10.1"	8.8"	37"	2.4"	25.2"
14J-BCB-2A-0235	2,600	1,200	17.3"-63.0"	II	16.5"	39"	830	377	26.4"	4.5"	10.9"	8.7"	37"	2.6"	25.2"
18J-BCB-2A-0220	3,500	1,600	18.9"-69.8"	II	18.5"	28"	823	374	32.4"	4.8"	7.7"	9.6"	41"	2.2"	26.0"
18J-BCB-2A-0225	3,500	1,600	18.5"-69.4"	II	18.5"	32"	851	387	32.4"	4.8"	8.7"	9.5"	41"	2.4"	26.0"
18J-BCB-2A-0230	3,500	1,600	18.1"-69.0"	II	18.5"	35"	886	403	32.4"	4.8"	9.8"	9.4"	41"	2.6"	26.0"
18J-BCB-2A-0235	3,500	1,600	17.7"-68.6"	II	18.5"	39"	918	417	32.4"	4.8"	10.9"	9.3"	41"	2.8"	26.0"
18J-BCB-2A-0240	3,500	1,600	16.9"-67.8"	II	18.5"	47"	1,020	464	32.4"	4.8"	13.7"	9.0"	41"	3.1"	26.0"
22J-BCB-2A-0220	4,200	1,900	19.1"-72.6"	II	18.5"	28"	904	411	32.4"	5.1"	7.8"	9.6"	43"	2.4"	26.0"
22J-BCB-2A-0225	4,200	1,900	18.7"-72.2"	II	18.5"	32"	934	425	32.4"	5.1"	8.8"	9.5"	43"	2.6"	26.0"
22J-BCB-2A-0230	4,200	1,900	18.7"-72.2"	II	18.5"	35"	973	442	32.4"	5.1"	9.9"	9.4"	43"	2.6"	26.0"
22J-BCB-2A-0235	4,200	1,900	18.3"-71.8"	II	18.5"	39"	1,010	459	32.4"	5.1"	11.0"	9.3"	43"	2.8"	26.0"
22J-BCB-2A-0240	4,200	1,900	17.6"-71.0"	II	18.5"	47"	1,123	510	32.4"	5.1"	13.7"	9.0"	43"	3.1"	26.0"
22J-BCB-3A-0220	4,200	1,900	19.1"-72.6"	III	18.5"	28"	961	437	32.4"	6.7"	8.9"	9.9"	43"	2.4"	26.0"
22J-BCB-3A-0225	4,200	1,900	18.7"-72.2"	III	18.5"	32"	992	451	32.4"	6.7"	9.8"	9.8"	43"	2.6"	26.0"
22J-BCB-3A-0230	4,200	1,900	18.7"-72.2"	III	18.5"	35"	1,031	469	32.4"	6.7"	10.8"	9.6"	43"	2.6"	26.0"
22J-BCB-3A-0235	4,200	1,900	18.3"-71.8"	III	18.5"	39"	1,067	485	32.4"	6.7"	11.9"	9.5"	43"	2.8"	26.0"
22J-BCB-3A-0240	4,200	1,900	17.6"-71.0"	III	18.5"	47"	1,180	537	32.4"	6.7"	14.6"	9.3"	43"	3.1"	26.0"
26J-BCB-2A-0245①④	4,000	1,818	19.4"-91.8"	II ②	19.7"	28"	1,436	653	36.4"	5.8"	8.0"	11.1"	63"	2.6"	29.3"
26J-BCB-2A-0250①④	4,000	1,818	37.6"-118.4"	II ②	19.7"	28"	1,527	694	36.4"	5.8"	7.2"	11.4"	68"	2.6"	29.3"
26J-BCB-3A-0220	5,100	2,300	22.4"-76.2"	III	19.7"	28"	1,120	509	36.4"	5.8"	7.7"	11.3"	41"	2.6"	29.3"
26J-BCB-3A-0225	5,100	2,300	22.4"-76.2"	III	19.7"	32"	1,165	530	36.4"	5.8"	8.6"	11.2"	41"	2.6"	29.3"
26J-BCB-3A-0230	5,100	2,300	22.0"-75.8"	III	19.7"	35"	1,211	550	36.4"	5.8"	9.6"	11.0"	41"	2.8"	29.3"
26J-BCB-3A-0235	5,100	2,300	22.0"-75.8"	III	19.7"	39"	1,247	567	36.4"	5.8"	10.7"	10.9"	41"	2.8"	29.3"
26J-BCB-3A-0240	5,100	2,300	21.3"-75.0"	III	19.7"	47"	1,380	627	36.4"	5.8"	13.3"	10.6"	41"	3.1"	29.3"

① Premier model for cotton industry. Button facing available.

② Class III mounting available, consult Cascade. **Class III mounting requires 39" minimum truck carriage width.**

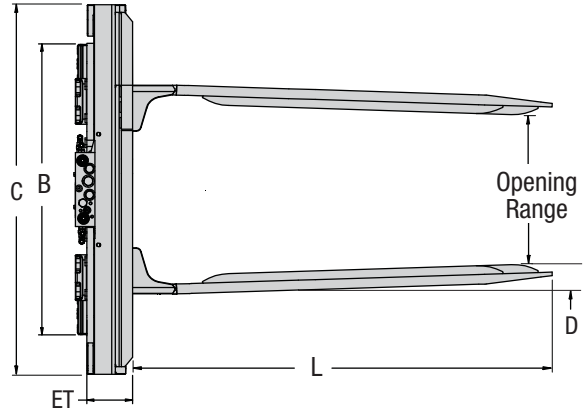
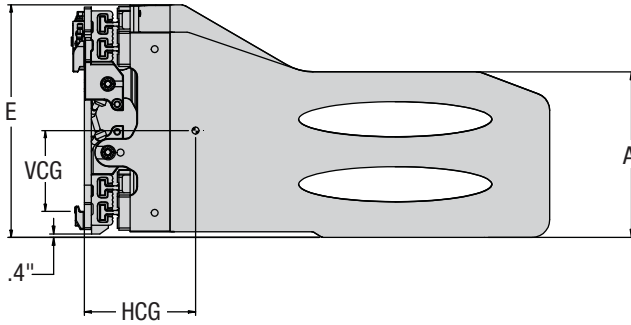
③ Published opening range limits nominal clamp dimensions only and may not accommodate loads with same or close to same dimension. Consult Cascade for further assistance.

④ Regenerative valve included as standard equipment.

▶ Quick Disconnect mounting available.

▶ Valve configuration is RH Clamp, LH Sidshift (view from operator). Optional reverse valve configuration available.

J-SERIES SIDESHIFTING BALE CLAMP BOLT-ON ARMS

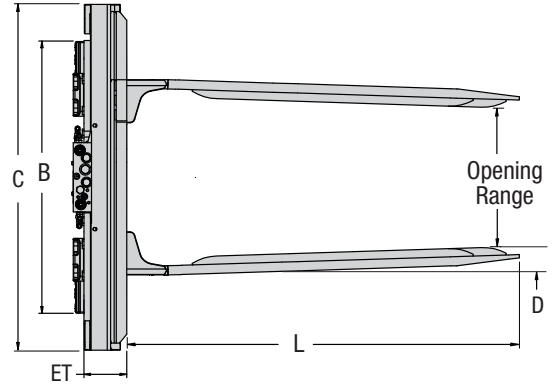
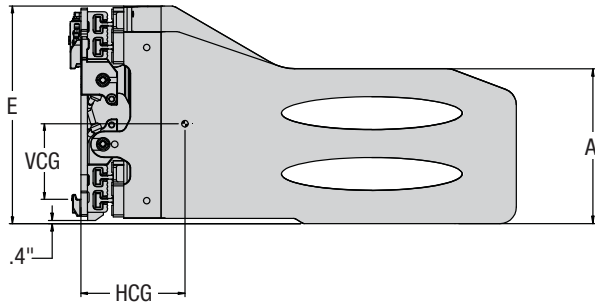


Catalog Order No.	Capacity@ 24" (600 mm) Load Center		Opening Range Ⓢ	Mtg. Class	Arm Height	Arm Length	Weight		Hook Spread	Effective Thickness	Horizontal Ctr. of Gravity	Vertical Ctr. of Gravity	Overall Width	Arm Thickness	Overall Height
	lbs	kg					lbs	kg							
			ITI		A	L			B	ET	HCG	VCG	C	D	E
14J-BCS-2A-0820	2,600	1,200	18.1"-63.8"	II	16.5"	28"	740	336	26.4"	4.8"	7.8"	9.2"	37"	2.2"	25.2"
14J-BCS-2A-0825	2,600	1,200	17.7"-63.4"	II	16.5"	32"	774	352	26.4"	4.8"	8.9"	9.0"	37"	2.4"	25.2"
14J-BCS-2A-0830	2,600	1,200	17.7"-63.4"	II	16.5"	35"	809	368	26.4"	4.8"	10.1"	8.8"	37"	2.4"	25.2"
14J-BCS-2A-0835	2,600	1,200	17.3"-63"	II	16.5"	39"	839	381	26.4"	4.8"	11.3"	8.7"	37"	2.6"	25.2"
18J-BCS-2A-0820	3,500	1,600	18.9"-69.8"	II	18.5"	28"	854	388	32.4"	5.1"	7.8"	9.6"	41"	2.2"	26"
18J-BCS-2A-0825	3,500	1,600	18.5"-69.4"	II	18.5"	32"	881	401	32.4"	5.1"	8.7"	9.5"	41"	2.4"	26"
18J-BCS-2A-0830	3,500	1,600	18.1"-69"	II	18.5"	35"	916	416	32.4"	5.1"	9.8"	9.4"	41"	2.6"	26"
18J-BCS-2A-0835	3,500	1,600	17.7"-68.6"	II	18.5"	39"	949	431	32.4"	5.1"	10.9"	9.3"	41"	2.8"	26"
18J-BCS-2A-0840	3,500	1,600	16.9"-67.8"	II	18.5"	47"	1,049	477	32.4"	5.1"	13.5"	9.1"	41"	3.1"	26"
22J-BCS-2A-0820	4,200	1,900	19.1"-72.6"	II	18.5"	28"	912	414	32.4"	5.2"	7.8"	9.7"	43"	2.4"	26"
22J-BCS-2A-0825	4,200	1,900	18.7"-72.2"	II	18.5"	32"	955	434	32.4"	5.2"	8.7"	9.5"	43"	2.6"	26"
22J-BCS-2A-0830	4,200	1,900	18.7"-72.2"	II	18.5"	35"	981	446	32.4"	5.2"	9.8"	9.4"	43"	2.6"	26"
22J-BCS-2A-0835	4,200	1,900	18.3"-71.8"	II	18.5"	39"	1,018	463	32.4"	5.2"	11.0"	9.3"	43"	2.8"	26"
22J-BCS-2A-0840	4,200	1,900	17.6"-71"	II	18.5"	47"	913	415	32.4"	5.2"	10.4"	9.5"	43"	3.1"	26"
22J-BCS-3A-0820	4,200	1,900	19.1"-72.6"	III	18.5"	28"	970	441	32.4"	6.8"	7.3"	9.9"	43"	2.4"	26"
22J-BCS-3A-0825	4,200	1,900	18.7"-72.2"	III	18.5"	32"	1,000	455	32.4"	6.8"	8.2"	9.8"	43"	2.6"	26"
22J-BCS-3A-0830	4,200	1,900	18.7"-72.2"	III	18.5"	35"	1,039	472	32.4"	6.8"	9.3"	9.7"	43"	2.6"	26"
22J-BCS-3A-0835	4,200	1,900	18.3"-71.8"	III	18.5"	39"	1,076	489	32.4"	6.8"	10.4"	9.6"	43"	2.8"	26"
22J-BCS-3A-0840	4,200	1,900	17.6"-71"	III	18.5"	47"	971	441	32.4"	6.8"	9.7"	9.8"	43"	3.1"	26"
26J-BCS-3A-0820	5,100	2,300	22.4"-76.2"	III	19.7"	28"	1,145	520	36.4"	6.0"	7.7"	11.3"	41"	2.6"	29.3"
26J-BCS-3A-0825	5,100	2,300	22.4"-76.2"	III	19.7"	32"	1,190	541	36.4"	6.0"	8.7"	11.2"	41"	2.6"	29.3"
26J-BCS-3A-0830	5,100	2,300	22"-75.8"	III	19.7"	35"	1,236	562	36.4"	6.0"	9.7"	11.0"	41"	2.8"	29.3"
26J-BCS-3A-0835	5,100	2,300	22"-75.8"	III	19.7"	39"	1,273	579	36.4"	6.0"	10.7"	10.9"	41"	2.8"	29.3"
26J-BCS-3A-0840	5,100	2,300	21.3"-75"	III	19.7"	47"	1,416	644	36.4"	6.0"	13.2"	10.6"	41"	3.1"	29.3"

Ⓢ Published opening range limits nominal clamp dimensions only and may not accommodate loads with same or close to same dimension. Consult Cascade for further assistance.

- ▶ Valve configuration is RH Clamp, LH Sideshift (view from operator) Optional reverse valve configuration available.
- ▶ Quick Disconnect mounting available.

J-SERIES SIDESHIFTING BALE CLAMP INTEGRAL ARMS



Catalog Order No.	Capacity@ 24" (600 mm) Load Center		Opening Range ③	Mtg. Class	Arm Height	Arm Length	Weight		Hook Spread	Effective Thickness	Horizontal Ctr. of Gravity	Vertical Ctr. of Gravity	Overall Width	Arm Thickness	Overall Height
	lbs	kg					lbs	kg							
14J-BCS-2A-0220	2,600	1,200	18.1"-63.8"	II	16.5"	28"	715	325	26.4"	4.5"	7.8"	9.1"	37"	2.2"	25.2"
14J-BCS-2A-0225	2,600	1,200	17.7"-63.4"	II	16.5"	32"	750	341	26.4"	4.5"	8.9"	8.9"	37"	2.4"	25.2"
14J-BCS-2A-0230	2,600	1,200	17.7"-63.4"	II	16.5"	35"	785	357	26.4"	4.5"	10.1"	8.8"	37"	2.4"	25.2"
14J-BCS-2A-0235	2,600	1,200	17.3"-63"	II	16.5"	39"	815	371	26.4"	4.5"	11.3"	8.7"	37"	2.6"	25.2"
18J-BCS-2A-0220	3,500	1,600	18.9"-69.8"	II	18.5"	28"	823	374	32.4"	4.8"	7.7"	9.6"	41"	2.2"	26"
18J-BCS-2A-0225	3,500	1,600	18.5"-69.4"	II	18.5"	32"	851	387	32.4"	4.8"	8.7"	9.5"	41"	2.4"	26"
18J-BCS-2A-0230	3,500	1,600	18.1"-69"	II	18.5"	35"	886	403	32.4"	4.8"	9.8"	9.4"	41"	2.6"	26"
18J-BCS-2A-0235	3,500	1,600	17.7"-68.6"	II	18.5"	39"	918	417	32.4"	4.8"	10.9"	9.3"	41"	2.8"	26"
18J-BCS-2A-0240	3,500	1,600	16.9"-67.8"	II	18.5"	47"	1,020	464	32.4"	4.8"	13.7"	9.0"	41"	3.1"	26"
22J-BCS-2A-0220	4,200	1,900	19.1"-72.6"	II	18.5"	28"	904	411	32.4"	5.1"	7.8"	9.6"	43"	2.4"	26"
22J-BCS-2A-0225	4,200	1,900	18.7"-72.2"	II	18.5"	32"	934	425	32.4"	5.1"	8.8"	9.5"	43"	2.6"	26"
22J-BCS-2A-0230	4,200	1,900	18.7"-72.2"	II	18.5"	35"	973	442	32.4"	5.1"	9.9"	9.4"	43"	2.6"	26"
22J-BCS-2A-0235	4,200	1,900	18.3"-71.8"	II	18.5"	39"	1,010	459	32.4"	5.1"	11.0"	9.3"	43"	2.8"	26"
22J-BCS-2A-0240	4,200	1,900	17.6"-71"	II	18.5"	47"	1,123	510	32.4"	5.1"	13.7"	9.0"	43"	3.1"	26"
22J-BCS-3A-0220	4,200	1,900	19.1"-72.6"	III	18.5"	28"	961	437	32.4"	6.7"	8.9"	9.9"	43"	2.4"	26"
22J-BCS-3A-0225	4,200	1,900	18.7"-72.2"	III	18.5"	32"	992	451	32.4"	6.7"	9.8"	9.8"	43"	2.6"	26"
22J-BCS-3A-0230	4,200	1,900	18.7"-72.2"	III	18.5"	35"	1,031	469	32.4"	6.7"	10.8"	9.6"	43"	2.6"	26"
22J-BCS-3A-0235	4,200	1,900	18.3"-71.8"	III	18.5"	39"	1,067	485	32.4"	6.7"	11.9"	9.5"	43"	2.8"	26"
22J-BCS-3A-0240	4,200	1,900	17.6"-71"	III	18.5"	47"	1,180	537	32.4"	6.7"	14.6"	9.3"	43"	3.1"	26"
26J-BCS-2A-0245①④	4,000	1,818	19.4"- 91.8"	II②	19.7"	28"	1,381	628	36.4"	5.8"	7.6"	11.3"	63"	2.6"	29.3"
26J-BCS-2A-0250①④	4,000	1,818	37.6"- 118.4"	II②	19.7"	28"	1,465	666	36.4"	5.8"	7.4"	11.3"	68"	2.6"	29.3"
26J-BCS-3A-0220	5,100	2,300	22.4"- 76.2"	III	19.7"	28"	1,120	509	36.4"	5.8"	7.7"	11.3"	41"	2.6	29.3"
26J-BCS-3A-0225	5,100	2,300	22.4"- 76.2"	III	19.7"	32"	1,165	530	36.4"	5.8"	8.6"	11.2"	41"	2.6	29.3"
26J-BCS-3A-0230	5,100	2,300	22"- 75.8"	III	19.7"	35"	1,211	550	36.4"	5.8"	9.6"	11.0"	41"	2.8	29.3"
26J-BCS-3A-0235	5,100	2,300	22"- 75.8"	III	19.7"	39"	1,247	567	36.4"	5.8"	10.7"	10.9"	41"	2.8	29.3"
26J-BCS-3A-0240	5,100	2,300	21.3"- 75"	III	19.7"	47"	1,380	627	36.4"	5.8"	13.3"	10.6"	41"	3.1	29.3"

① Premier model for cotton industry. Button facing available.

② Class III mounting available, consult Cascade. **Class III mounting requires 39" minimum truck carriage width.**

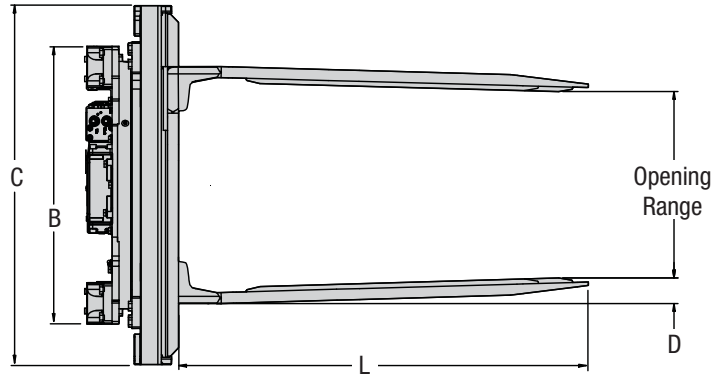
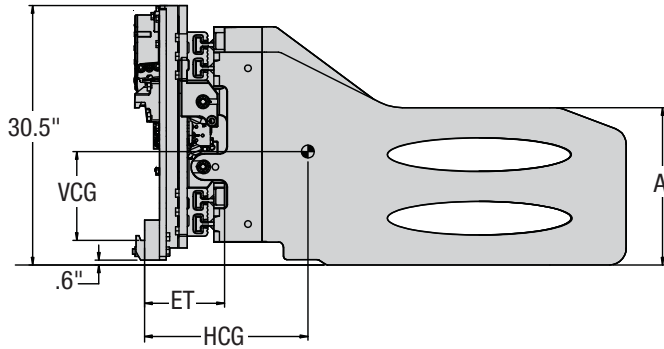
③ Published opening range limits nominal clamp dimensions only and may not accommodate loads with same or close to same dimension. Consult Cascade for further assistance.

④ Regenerative valve included as standard equipment.

▶ Quick Disconnect mounting available.

▶ Valve configuration is RH Clamp, LH Sideshift (view from operator). Optional reverse valve configuration available.

J-SERIES REVOLVING BALE CLAMP BOLT-ON ARMS



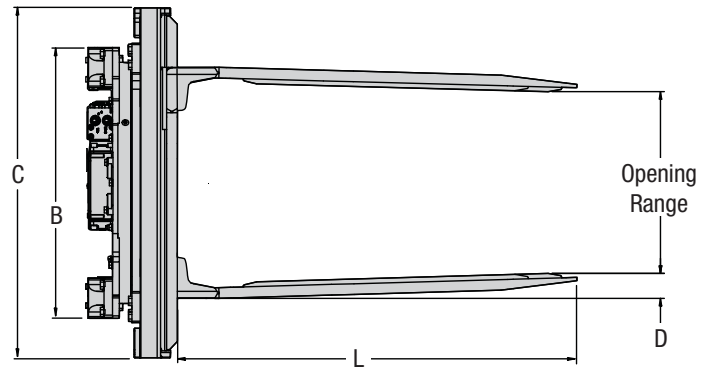
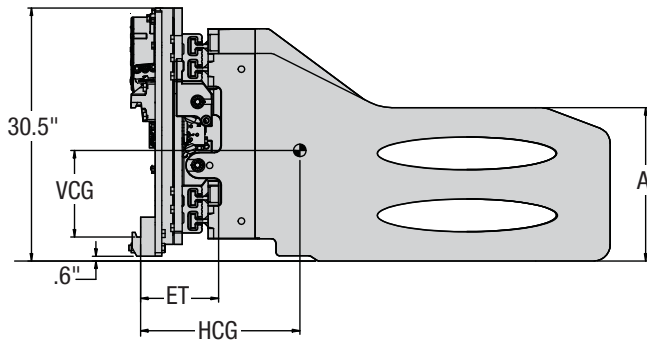
360° ROTATION

Catalog Order No.	Capacity@ 24" (600 mm) Load Center		Opening Range	Mtg. Class	Arm Height	Arm Length	Weight		Hook Spread	Effective Thickness	Horizontal Ctr. of Gravity	Vertical Ctr. of Gravity	Overall Width	Arm Thickness
	lbs	kg					lbs	kg						
18J-BCR-2A-0820	3,500	1,600	18.9"-69.8"	II	18.5"	28"	1,326	603	32"	9.4"	8.8"	12.0	41.3"	2.2"
18J-BCR-2A-0825	3,500	1,600	18.5"-69.4"	II	18.5"	32"	1,353	615	32"	9.4"	9.5"	11.9"	41.3"	2.4"
18J-BCR-2A-0830	3,500	1,600	18.1"-69.0"	II	18.5"	35"	1,388	631	32"	9.4"	10.3"	11.8"	41.3"	2.6"
18J-BCR-2A-0835	3,500	1,600	17.7"-68.6"	II	18.5"	39"	1,423	647	32"	9.4"	11.2"	11.6"	41.3"	2.8"
18J-BCR-2A-0840	3,500	1,600	16.9"-67.8"	II	18.5"	47"	1,523	692	32"	9.4"	13.3"	11.3"	41.3"	3.1"
22J-BCR-2A-0820	4,200	1,900	19.1"-72.6"	II	18.5"	28"	1,385	629	32"	9.5"	9.0"	12.0"	43.3"	2.4"
22J-BCR-2A-0825	4,200	1,900	18.7"-72.2"	II	18.5"	32"	1,415	643	32"	9.5"	9.7"	11.9"	43.3"	2.6"
22J-BCR-2A-0830	4,200	1,900	18.7"-72.2"	II	18.5"	35"	1,454	661	32"	9.5"	10.6"	11.7"	43.3"	2.6"
22J-BCR-2A-0835	4,200	1,900	18.3"-71.8"	II	18.5"	39"	1,493	679	32"	9.5"	11.5"	11.6"	43.3"	2.8"
22J-BCR-2A-0840	4,200	1,900	17.6"-71.0"	II	18.5"	47"	1,606	730	32"	9.5"	13.7"	11.2"	43.3"	3.1"
22J-BCR-3A-0820	4,200	1,900	19.1"-72.6"	III	18.5"	28"	1,405	639	32"	10.7"	10.0"	12.0"	43.3"	2.4"
22J-BCR-3A-0825	4,200	1,900	18.7"-72.2"	III	18.5"	32"	1,436	653	32"	10.7"	10.7"	11.9"	43.3"	2.6"
22J-BCR-3A-0830	4,200	1,900	18.7"-72.2"	III	18.5"	35"	1,475	670	32"	10.7"	11.5"	11.7"	43.3"	2.6"
22J-BCR-3A-0835	4,200	1,900	18.3"-71.8"	III	18.5"	39"	1,514	688	32"	10.7"	12.4"	11.6"	43.3"	2.8"
22J-BCR-3A-0840	4,200	1,900	17.6"-71"	III	18.5"	47"	1,627	739	32"	10.7"	14.6"	11.2"	43.3"	3.1"
26J-BCR-3A-0820	5,100	2,300	22.4"-76.2"	III	19.7"	28"	1,611	732	32"	11.2"	10.3"	11.9"	41.3"	2.6"
26J-BCR-3A-0825	5,100	2,300	22.4"-76.2"	III	19.7"	32"	1,657	753	32"	11.2"	11.1"	11.8"	41.3"	2.6"
26J-BCR-3A-0830	5,100	2,300	22"-75.8"	III	19.7"	35"	1,703	774	32"	11.2"	11.9"	11.7"	41.3"	2.8"
26J-BCR-3A-0835	5,100	2,300	22"-75.8"	III	19.7"	39"	1,739	791	32"	11.2"	12.7"	11.6"	41.3"	2.8"
26J-BCR-3A-0840	5,100	2,300	21.3"-75"	III	19.7"	47"	1,870	850	32"	11.2"	14.9"	11.3"	41.3"	3.1"

① Published opening range limits nominal clamp dimensions only and may not accommodate loads with same or close to same dimension. Consult Cascade for further assistance.

- ▶ Valve configuration is RH Clamp, LH Sideshift (view from operator) Optional reverse valve configuration available.
- ▶ Quick Disconnect mounting available.

J-SERIES REVOLVING BALE CLAMP INTEGRAL ARMS

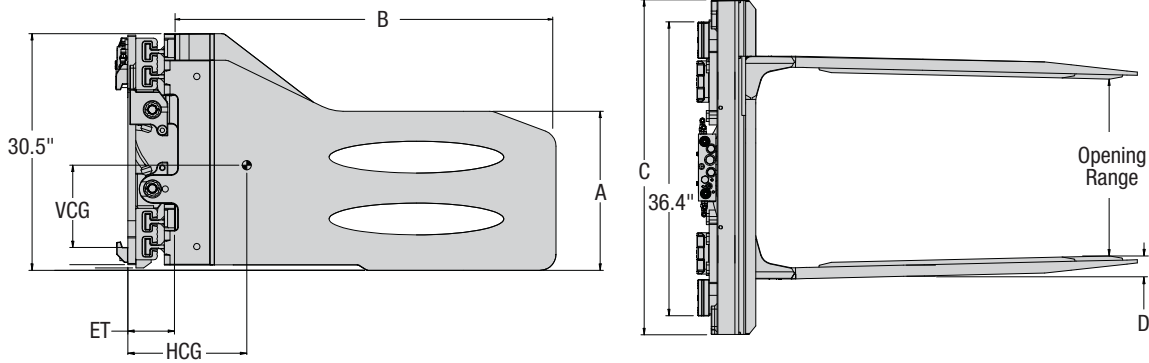


360° ROTATION

Catalog Order No.	Capacity@ 24" (600 mm) Load Center		Opening Range ②	Mtg. Class	Arm Height	Arm Length	Weight		Hook Spread	Effective Thickness	Horizontal Ctr. of Gravity	Vertical Ctr. of Gravity	Overall Width	Arm Thickness
	lbs	kg					lbs	kg						
			ITI		A	L			B	ET	HCG	VCG	C	D
18J-BCR-2A-0220	3,500	1,600	18.9"-69.8"	II	18.5"	28"	1,295	589	32"	9.1"	8.7"	12.0"	41"	2.2"
18J-BCR-2A-0225	3,500	1,600	18.5"-69.4"	II	18.5"	32"	1,323	601	32"	9.1"	9.4"	11.9"	41"	2.4"
18J-BCR-2A-0230	3,500	1,600	18.1"-69"	II	18.5"	35"	1,358	617	32"	9.1"	10.2"	11.7"	41"	2.6"
18J-BCR-2A-0235	3,500	1,600	17.7"-68.6"	II	18.5"	39"	1,392	633	32"	9.1"	11.1"	11.6"	41"	2.8"
18J-BCR-2A-0240	3,500	1,600	16.9"-67.8"	II	18.5"	47"	1,496	680	32"	9.1"	13.2"	11.3"	41"	3.1"
22J-BCR-2A-0220	4,200	1,900	19.1"-72.6"	II	18.5"	28"	1,376	626	32"	9.4"	9.0"	12.0"	43"	2.4"
22J-BCR-2A-0225	4,200	1,900	18.7"-72.2"	II	18.5"	32"	1,407	639	32"	9.4"	9.7"	11.9"	43"	2.6"
22J-BCR-2A-0230	4,200	1,900	18.7"-72.2"	II	18.5"	35"	1,446	657	32"	9.4"	10.5"	11.7"	43"	2.6"
22J-BCR-2A-0235	4,200	1,900	18.3"-71.8"	II	18.5"	39"	1,485	675	32"	9.4"	11.4"	11.5"	43"	2.8"
22J-BCR-2A-0240	4,200	1,900	17.6"-71"	II	18.5"	47"	1,580	718	32"	9.4"	13.4"	11.3"	43"	3.1"
22J-BCR-3A-0220	4,200	1,900	19.1"-72.6"	III	18.5"	28"	1,399	636	32"	10.6"	10.0"	11.9"	43"	2.4"
22J-BCR-3A-0225	4,200	1,900	18.7"-72.2"	III	18.5"	32"	1,421	646	32"	10.6"	10.6"	11.9"	43"	2.6"
22J-BCR-3A-0230	4,200	1,900	18.7"-72.2"	III	18.5"	35"	1,468	667	32"	10.6"	11.5"	11.7"	43"	2.6"
22J-BCR-3A-0235	4,200	1,900	18.3"-71.8"	III	18.5"	39"	1,507	685	32"	10.6"	12.4"	11.5"	43"	2.8"
22J-BCR-3A-0240	4,200	1,900	17.6"-71"	III	18.5"	47"	1,620	736	32"	10.6"	14.6"	11.2"	43"	3.1"
26J-BCR-2A-0245 ①	4,000	1,818	19.4"-91.8"	II	19.7"	28"	1,847	840	32"	9.8"	9.4"	11.9"	63"	2.6"
26J-BCR-2A-0250 ①	4,000	1,818	37.6"-118.4"	II	19.7"	28"	1,968	894	32"	11.0"	8.9"	11.8"	68"	2.6"
26J-BCR-3A-0220	5,100	2,300	22.9"-76.6"	III	19.7"	28"	1,586	721	32"	11.0"	10.2"	11.9"	41"	2.6"
26J-BCR-3A-0225	5,100	2,300	22.4"-76.2"	III	19.7"	32"	1,632	742	32"	11.0"	11.0"	11.8"	41"	2.6"
26J-BCR-3A-0230	5,100	2,300	22"-75.8"	III	19.7"	35"	1,677	762	32"	11.0"	11.8"	11.7"	41"	2.8"
26J-BCR-3A-0235	5,100	2,300	22"-75.8"	III	19.7"	39"	1,714	779	32"	11.0"	12.6"	11.5"	41"	2.8"
26J-BCR-3A-0240	5,100	2,300	21.3"-75"	III	19.7"	47"	1,846	839	32"	11.0"	14.5"	11.3"	41"	3.1"

- ① Premier model for cotton industry. Button facing available.
- ② Class III mounting available, consult Cascade. **Class III mounting requires 39" minimum truck carriage width.**
- ③ Published opening range limits nominal clamp dimensions only and may not accommodate loads with same or close to same dimension. Consult Cascade for further assistance.

- ▶ Quick Disconnect mounting available.
- ▶ Valve configuration is RH Clamp, LH Sideshift (view from operator). Optional reverse valve configuration available.



Catalog Order No.	Capacity@ 24" (600 mm) Load Center		Opening Range ①	Mtg. Class	Arm Height A	Arm Length B	Weight		Effective Thickness ET	Horizontal Ctr. of Gravity HCG	Vertical Ctr. of Gravity VCG	Overall Width C	Arm Thickness D
	lbs	kg					lbs	kg					
26J-PBS-3A-0220	5,100	2,300	23.6"-77.4"	III	19.7"	28"	1,114	507	5.8"	7.6"	11.4"	41.3"	2.0"
26J-PBS-3A-0225	5,100	2,300	23.2"-77.0"	III	19.7"	32"	1,154	525	5.8"	8.5"	11.2"	41.3"	2.2"
26J-PBS-3A-0230	5,100	2,300	22.8"-76.6"	III	19.7"	39"	830	377	4.5"	10.9"	8.7"	41.3"	2.4"
26J-PBS-3A-0235	5,100	2,300	22.0"-75.8"	III	19.7"	47"	1,362	619	5.8"	13.0"	10.6"	41.3"	2.8"
26J-PBS-3A-0240	5,100	2,300	25.6"-78.0"	III	48.0"	24"	1,510	686	8.5"	8.9"	12.1"	41.3"	1.8"

① Published opening range limits nominal clamp dimensions only and may not accommodate loads with same or close to same dimension. Consult Cascade for further assistance.

- ▶ Round bar ribs are standard; other arm facings available.
- ▶ Articulating arms, pin mounting and other arm lengths are available for Pulp Bale Clamps upon request. Consult Cascade for price and availability.
- ▶ Quick Disconnect mounting available.
- ▶ Valve configuration is RH Clamp, LH Sideshift (view from operator). Optional reverse valve configuration available.

HYDRAULIC FUNCTIONS

Model	Hydraulic Functions	Truck Auxiliary Valves Required
Revolving	2	2

HYDRAULIC FLOW & PRESSURE

Model	Maximum Pressure (psi/bar)	Number of Functions	Min-Rec-Max Function 1 (sideshift or revolving) gpm	Min-Rec-Max Function 2 (clamp) gpm
14J/18J Non-Sideshifting	2,250/155	1	n/a	5-12-16
14J/18J Sideshifting	2,250/155	2	1-5-10	5-12-16
22J/26J Non-Sideshifting	2,250/155	1	n/a	5-12-16
22J/26J Sideshifting	2,250/155	2	1-5-10	5-12-16
J-Series Revolving	2,250/155	2	5-10-15	5-12-16

BALE CLAMPS Capacity in Bales—Cotton

Model	Gin Flat	Gin & Univ. Standard	Compress Univ. & Standard	Compress Hi-D
14J	2	2	2	2
18J	2	3	2	3
26J (91" Opening)	3	4	3	4
26J (118" Opening)	4	5	4	4