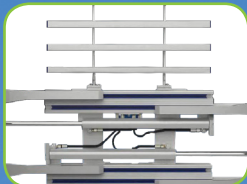
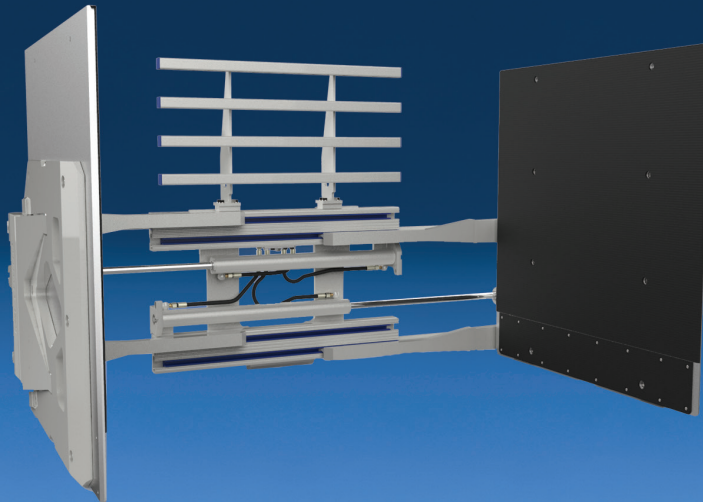


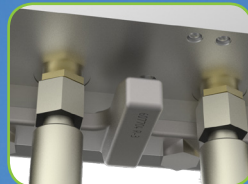
Superior Clamp Force Distribution for secure handling of a wide range of product types



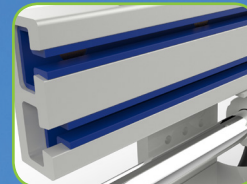
Industry leading visibility through frame



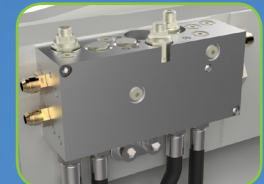
Thin arm profile with leading tapered edge



True centering key for precise and secure mounting



Lube-free, full-length lip over UHMW bearings provide superior durability



Easy access valve with built in clamp protection

APPLICATIONS

Achieve all the benefits of handling unitized loads in your manufacturing and distribution operation with Cascade's J-Series Carton Clamps. Allowing efficient handling of a wide range of low, medium and high-density products including consumer paper products, appliances, consumer electronics, wine, packaged foods (canned or boxed), chemicals and plastics.

FEATURES

Industry-leading visibility.

 **Efficient hydraulic system which minimizes energy consumption and maximizes performance.**

- Clamp and backhand protection.
- Flow divider for equal arm movement.
- Top-mounted hydraulic cartridges and test port for ease of access and adjustment.
- Sideshift circuit relief optimizes sideshift speed and performance.

Rugged design for optimal strength, durability and performance.

- High strength steel frame.
- Lubrication-free, full length UHMW bearings.
- High strength steel castings.
- Maximum clamp force for secure handling.

Efficient arm design.

- Thin arm profile for manipulating tight loads between stacks.
- Rubber-faced aluminum contact pads for secure handling of loads.

Designed for convenience and performance.

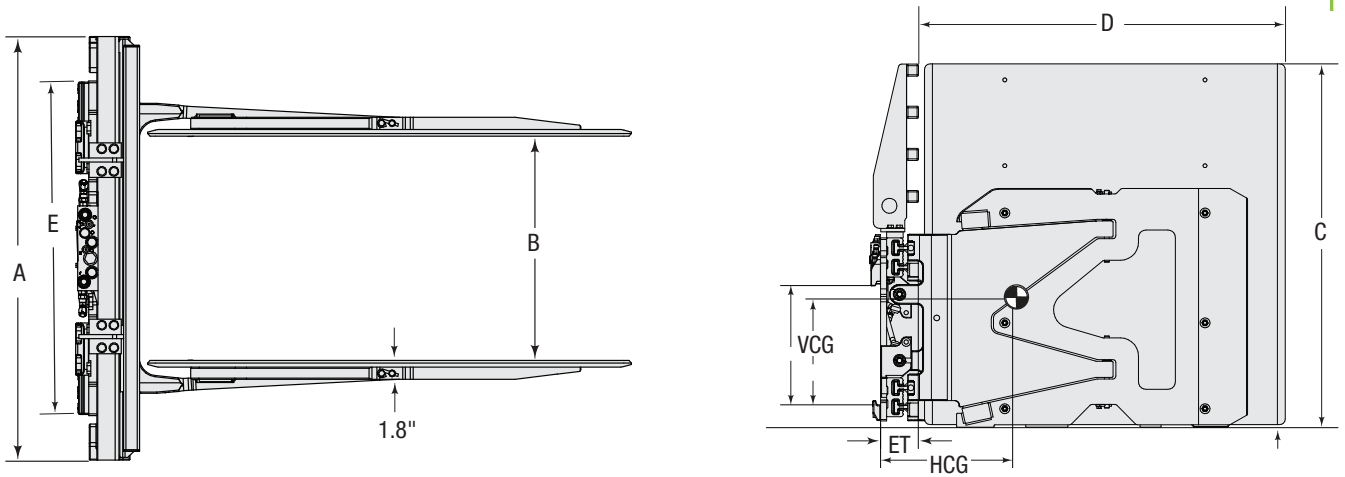
- Integrated true centering key for precise and secure installation.
- Available in two pressure offerings to match attachment to truck hydraulic system.

OPTIONS

- Custom opening ranges and frame widths.
- Custom arm lengths, heights and pad surfaces. Application-specific contact pads (sizes & surfaces).
- Pallet strips on contact pads for pallet handling.
- Frame bumper for extra protection when handling loose loads.
- Various ISO mounting options including class III and quick-disconnect features.
- Independent arm control.
- Regenerative valve for increased arm speed on low flow electric trucks.
- External sideshift available.
- Alternate valve configurations for left hand or right hand third and fourth function hydraulic installation.
- Application-specific customization.

DAMAGE REDUCTION OPTIONS:

- Load cushion™
- Tilt control.
- Four-point tester.
- Touch Force Control – TFC™



Catalog Order No.	Capacity @ Lo: Center		Frame Width A	Opening Range B	Mtg. Class	Weight		Hook Spread E	Effective Thickness ET	Horizontal Ctr. of Gravity HCG	Vertical Ctr. of Gravity VCG	Overall Attachment/ Arm Height C	Useable Arm Length D
	lbs@in	kg@mm				lbs	kg						
Low Pressure - For trucks delivering up to 2,760 psi of operating pressure.													
8J-CCS-2A-0010	1,750@15	800@380	41.3"	22.5"-77.4"	II	1,047	476	32.4"	4.9"	10.2"	13.5"	48.0"	30.0"
8J-CCS-2A-0011	1,750@16	800@405	41.3"	22.4"-77.2"	II	1,095	498	32.4"	4.9"	11.0"	13.6"	48.0"	32.0"
8J-CCS-2A-0012	1,750@20	800@510	41.3"	21.9"-76.8"	II	1,275	579	32.4"	4.9"	14.5"	13.7"	48.0"	40.0"
8J-CCS-2A-0013	1,750@21	800@535	41.3"	21.7"-76.6"	II	1,320	600	32.4"	4.9"	15.4"	13.7"	48.0"	42.0"
8J-CCS-2A-0014	1,750@23	800@585	41.3"	21.5"-76.4"	II	1,367	622	32.4"	4.9"	16.5"	13.8"	48.0"	46.0"
8J-CCS-2A-0015	1,750@24	800@610	41.3"	21.4"-76.3"	II	1,399	636	32.4"	4.9"	17.3"	13.9"	48.0"	48.0"
14J-CCS-2A-0070	2,650@15	1,200@380	41.3"	22.1"-77.6"	II	1,047	476	32.4"	4.9"	10.2"	13.5"	48.0"	30.0"
14J-CCS-2A-0071	2,650@20	1,200@510	41.3"	21.5"-76.9"	II	1,278	581	32.4"	4.9"	14.4"	13.7"	48.0"	40.0"
14J-CCS-2A-0072	2,650@21	1,200@535	41.3"	21.3"-76.8"	II	1,322	601	32.4"	4.9"	15.4"	13.7"	48.0"	42.0"
14J-CCS-2A-0073	2,650@23	1,200@585	41.3"	21.1"-76.5"	II	1,370	623	32.4"	4.9"	16.5"	13.8"	48.0"	46.0"
14J-CCS-2A-0074	2,650@24	1,200@610	41.3"	21.0"-76.5"	II	1,401	637	32.4"	4.9"	17.2"	13.9"	48.0"	48.0"
14J-CCS-2A-0075	2,450@26	1,109@660	41.3"	20.8"-76.2"	II	1,463	665	32.4"	4.9"	18.7"	13.9"	48.0"	52.0"

High Pressure - For trucks delivering over 2,760 psi of operating pressure consult Cascade.

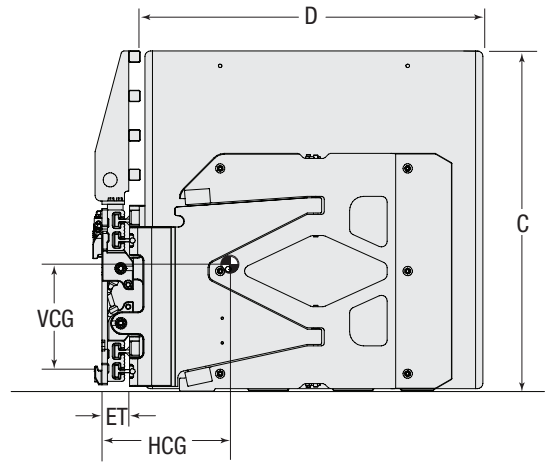
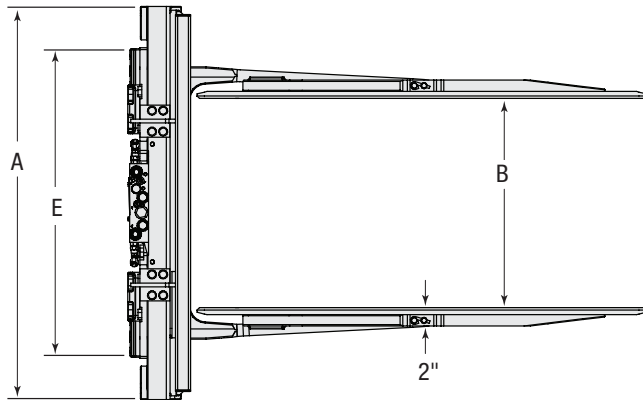
- ① Class II Bolt-On mounting is standard. Class III and Quick-Disconnect mounting also available at no charge. **Minimum truck carriage width equals hook spread (E).**
- ② Published opening range limits are nominal clamp dimensions only and clamp may not accommodate loads with same or similar dimension. Consult Cascade for further assistance.
- ▶ Front lower leading edge pad wear can be addressed by periodic replacement of the factory installed wear tiles. Contact Cascade Parts Department at 888-CASCADE (227-2233) for service kits. Cascade recommends using tilt control with all Carton Clamps.
- ▶ All models include an integrated sideshift circuit.

- ▶ Standard valve configuration is with clamp ports on the right and sideshift on the left. Reverse valve configuration optional.
- ▶ Can easily be converted to non-sideshifting by plugging ports on the valve. Clamp requires only 1 auxiliary valve.
- ▶ Attachment capacity should be matched to the derated truck capacity with the attachment installed for most efficient application.
- ▶ Additional contact pad sizes, arm opening ranges, and features are available, consult Cascade.
- ▶ External Sideshift Available: Consult Cascade
 Class 2 External sideshift = ET + 25 mm (1.0")
 Class 3 External sideshift = ET + 38 mm (1.5")

Hydraulic Flow & Pressure – Hydraulic Functions

Model	Maximum Attachment Operating Pressure psi/bar	Maximum Deliverable Truck Pressure psi/bar	Attachment Pressure Protected Yes/No?	Min-Rec-Max Function 3 (sideshift) gpm	Min-Rec-Max Function 4 (clamp) gpm	Attachment Number of Functions	Truck Auxiliary Valves Required
(8J, 14J, 18J, 22J, 26J) CCS	2,250/155	2760/190	Yes	1-5-10	5-12-16	2	2

▶ If the maximum deliverable truck pressure exceeds maximum clamp or rotate operating pressure and the attachment is not pressure protected, then auxiliary pressure protection is required.



Catalog Order No.	Capacity@ Load Center		Frame Width A	Opening Range B	Mtg. Class	Weight		Hook Spread E	Effective Thickness ET	Horizontal Ctr. of Gravity HCG	Vertical Ctr. of Gravity VCG	Overall Attachment/ Arm Height C	Useable Arm Length D
	lbs@in	kg@mm				lbs	kg						
Low Pressure - For trucks delivering up to 2,760 psi of operating pressure.													
18J-CCS-2A-0190	3,500@20	1,600@510	41.3"	21.9"-77.0"	II	1,406	639	32.4"	5.2"	14.3"	13.9"	48.0"	40.0"
18J-CCS-2A-0191	3,500@21	1,600@535	41.3"	21.8"-76.9"	II	1,444	656	32.4"	5.2"	15.0"	14.0"	48.0"	42.0"
18J-CCS-2A-0192	3,500@23	1,600@585	41.3"	21.5"-76.6"	II	1,529	695	32.4"	5.2"	16.6"	14.1"	48.0"	46.0"
18J-CCS-2A-0193	3,500@24	1,600@610	41.3"	21.4"-76.5"	II	1,568	713	32.4"	5.2"	17.4"	14.1"	48.0"	48.0"
18J-CCS-2A-0194	3,250@26	1,479@660	41.3"	21.2"-76.3"	II	1,645	748	32.4"	5.2"	18.9"	14.2"	48.0"	52.0"
18J-CCS-2A-0195	3,150@27	1,425@685	41.3"	21.0"-76.1"	II	1,687	767	32.4"	5.2"	19.7"	14.3"	48.0"	54.0"
18J-CCS-2A-0200	3,500@20	1,600@510	41.3"	21.9"-77.0"	II	1,446	657	32.4"	5.2"	14.4"	14.9"	54.0"	40.0"
18J-CCS-2A-0201	3,500@21	1,600@535	41.3"	21.8"-76.9"	II	1,486	676	32.4"	5.2"	15.2"	15.0"	54.0"	42.0"
18J-CCS-2A-0202	3,500@23	1,600@585	41.3"	21.5"-76.6"	II	1,574	716	32.4"	5.2"	16.7"	15.1"	54.0"	46.0"
18J-CCS-2A-0203	3,500@24	1,600@610	41.3"	21.4"-76.5"	II	1,614	734	32.4"	5.2"	17.5"	15.1"	54.0"	48.0"
18J-CCS-2A-0204	3,250@26	1,479@660	41.3"	21.2"-76.3"	II	1,694	770	32.4"	5.2"	19.1"	15.2"	54.0"	52.0"
18J-CCS-2A-0205	3,150@27	1,425@685	41.3"	21.0"-76.1"	II	1,738	790	32.4"	5.2"	19.8"	15.2"	54.0"	54.0"
18J-CCS-2A-0210	3,500@20	1,600@510	41.3"	21.9"-77.0"	II	1,483	674	32.4"	5.2"	14.5"	15.9"	60.0"	40.0"
18J-CCS-2A-0211	3,500@21	1,600@535	41.3"	21.8"-76.9"	II	1,524	698	32.4"	5.2"	15.3"	16.0"	60.0"	42.0"
18J-CCS-2A-0212	3,500@23	1,600@585	41.3"	21.5"-76.6"	II	1,613	733	32.4"	5.2"	16.9"	16.1"	60.0"	46.0"
18J-CCS-2A-0213	3,500@24	1,600@610	41.3"	21.4"-76.5"	II	1,654	752	32.4"	5.2"	17.7"	16.1"	60.0"	48.0"
18J-CCS-2A-0214	3,250@26	1,479@660	41.3"	21.2"-76.3"	II	1,737	789	32.4"	5.2"	19.2"	16.2"	60.0"	52.0"
18J-CCS-2A-0215	3,150@27	1,425@685	41.3"	21.0"-76.1"	II	1,782	810	32.4"	5.2"	20.0"	16.3"	60.0"	54.0"
High Pressure - For trucks delivering over 2,760 psi of operating pressure consult Cascade.													

① Class II Bolt-On mounting is standard. Class III and Quick-Disconnect mounting also available at no charge. **Minimum truck carriage width equals hook spread (E).**

② Published opening range limits are nominal clamp dimensions only and clamp may not accommodate loads with same or similar dimension. Consult Cascade for further assistance.

▶ Front lower leading edge pad wear can be addressed by periodic replacement of the factory installed wear tiles. Contact Cascade Parts Department at 888-CASCADE (227-2233) for service kits. Cascade recommends using tilt control with all Carton Clamps.

▶ All models include an integrated sideshift circuit.

▶ Standard valve configuration is with clamp ports on the right and sideshift on the left. Reverse valve configuration optional.

▶ Can easily be converted to non-sideshifting by plugging ports on the valve. Clamp requires only 1 auxiliary valve.

▶ Attachment capacity should be matched to the derated truck capacity with the attachment installed for most efficient application.

▶ Additional contact pad sizes, arm opening ranges, and features are available, consult Cascade.

▶ External Sideshift Available: Consult Cascade
Class 2 External sideshift = ET + 25 mm (1.0")
Class 3 External sideshift = ET + 38 mm (1.5")



Catalog Order No.	Capacity@ Load Center		Frame Width		Opening Range ②	Mtg. Class	Weight		Hook Spread ①	Effective Thickness	Horizontal Ctr. of Gravity	Vertical Ctr. of Gravity	Overall Attachment/ Arm Height	Useable Arm Length
	lbs@in	kg@mm	A	B			lbs	kg						
Low Pressure - For trucks delivering up to 2,760 psi of operating pressure.														
22J-CCS-3A-0190	4,000@20	1,800@510	43.3"	21.9"-77.0"	III	1,471	669	32.4"	5.4"	14.3"	13.9"	48.0"	40.0"	
22J-CCS-3A-0191	4,000@21	1,800@535	43.3"	21.7"-76.9"	III	1,511	687	32.4"	5.4"	15.0"	13.9"	48.0"	42.0"	
22J-CCS-3A-0192	4,000@23	1,800@585	43.3"	21.5"-76.6"	III	1,599	727	32.4"	5.4"	16.6"	14.1"	48.0"	46.0"	
22J-CCS-3A-0193	4,000@24	1,800@610	43.3"	21.4"-76.5"	III	1,639	745	32.4"	5.4"	17.4"	14.1"	48.0"	48.0"	
22J-CCS-3A-0194	3,650@26	1,664@660	43.3"	21.2"-76.3"	III	1,718	781	32.4"	5.4"	18.9"	14.2"	48.0"	52.0"	
22J-CCS-3A-0195	3,500@27	1,603@685	43.3"	21.0"-76.1"	III	1,762	801	32.4"	5.4"	19.7"	14.2"	48.0"	54.0"	
22J-CCS-3A-0200	4,000@20	1,800@510	43.3"	21.9"-77.0"	III	1,512	687	32.4"	5.4"	14.4"	14.8"	54.0"	40.0"	
22J-CCS-3A-0201	4,000@21	1,800@535	43.3"	21.7"-76.9"	III	1,560	709	32.4"	5.4"	15.1"	14.9"	54.0"	42.0"	
22J-CCS-3A-0202	4,000@23	1,800@585	43.3"	21.5"-76.6"	III	1,645	748	32.4"	5.4"	16.8"	15.0"	54.0"	46.0"	
22J-CCS-3A-0203	4,000@24	1,800@610	43.3"	21.4"-76.5"	III	1,693	769	32.4"	5.4"	17.5"	15.0"	54.0"	48.0"	
22J-CCS-3A-0204	3,650@26	1,664@660	43.3"	21.2"-76.3"	III	1,775	807	32.4"	5.4"	19.0"	15.1"	54.0"	52.0"	
22J-CCS-3A-0205	3,500@27	1,603@685	43.3"	21.0"-76.1"	III	1,821	828	32.4"	5.4"	19.8"	15.2"	54.0"	54.0"	
22J-CCS-3A-0210	4,000@20	1,800@510	43.3"	21.9"-77.0"	III	1,557	708	32.4"	5.4"	14.5"	15.8"	60.0"	40.0"	
22J-CCS-3A-0211	4,000@21	1,800@535	43.3"	21.7"-76.9"	III	1,599	727	32.4"	5.4"	15.2"	15.9"	60.0"	42.0"	
22J-CCS-3A-0212	4,000@23	1,800@585	43.3"	21.5"-76.6"	III	1,693	769	32.4"	5.4"	16.9"	15.9"	60.0"	46.0"	
22J-CCS-3A-0213	4,000@24	1,800@610	43.3"	21.4"-76.5"	III	1,735	789	32.4"	5.4"	17.6"	16.0"	60.0"	48.0"	
22J-CCS-3A-0214	3,650@26	1,664@660	43.3"	21.2"-76.3"	III	1,821	828	32.4"	5.4"	19.2"	16.1"	60.0"	52.0"	
22J-CCS-3A-0215	3,500@27	1,603@685	43.3"	21.0"-76.1"	III	1,867	849	32.4"	5.4"	20.0"	16.1"	60.0"	54.0"	
Low Pressure - For trucks delivering up to 2,760 psi of operating pressure.														
26J-CCS-3A-0010	4,850@20	2,200@510	43.3"	21.8"-77.2"	III	1,833	833	36.4"	6.1"	14.6"	15.6"	48.0"	40.0"	
26J-CCS-3A-0011	4,850@21	2,200@535	43.3"	21.7"-77.1"	III	1,880	854	36.4"	6.1"	15.4"	15.6"	48.0"	42.0"	
26J-CCS-3A-0012	4,850@23	2,200@585	43.3"	21.5"-76.9"	III	1,992	905	36.4"	6.1"	16.9"	15.8"	48.0"	46.0"	
26J-CCS-3A-0013	4,850@24	2,200@610	43.3"	21.3"-76.7"	III	2,039	927	36.4"	6.1"	17.7"	15.9"	48.0"	48.0"	
26J-CCS-3A-0014	4,475@26	2,033@660	43.3"	21.1"-76.5"	III	2,133	970	36.4"	6.1"	19.1"	15.9"	48.0"	52.0"	
26J-CCS-3A-0015	4,300@27	1,959@685	43.3"	21.0"-76.4"	III	2,204	1,002	36.4"	6.1"	20.1"	15.9"	48.0"	54.0"	
26J-CCS-3A-0020	4,850@20	2,200@510	43.3"	21.5"-76.9"	III	1,870	850	36.4"	6.1"	14.7"	16.5"	54.0"	40.0"	
26J-CCS-3A-0021	4,850@21	2,200@535	43.3"	21.7"-77.1"	III	1,919	872	36.4"	6.1"	15.4"	16.3"	54.0"	42.0"	
26J-CCS-3A-0022	4,850@23	2,200@585	43.3"	21.5"-76.9"	III	2,033	924	36.4"	6.1"	17.0"	16.5"	54.0"	46.0"	
26J-CCS-3A-0023	4,850@24	2,200@610	43.3"	21.3"-76.7"	III	2,082	946	36.4"	6.1"	17.8"	16.5"	54.0"	48.0"	
26J-CCS-3A-0024	4,475@26	2,033@660	43.3"	21.1"-76.5"	III	2,179	990	36.4"	6.1"	19.2"	16.6"	54.0"	52.0"	
26J-CCS-3A-0025	4,300@27	1,959@685	43.3"	21.0"-76.4"	III	2,251	1,023	36.4"	6.1"	20.2"	16.7"	54.0"	54.0"	
26J-CCS-3A-0030	4,850@20	2,200@510	43.3"	21.8"-77.2"	III	1,904	865	36.4"	6.1"	14.9"	17.0"	60.0"	40.0"	
26J-CCS-3A-0031	4,850@21	2,200@535	43.3"	21.7"-77.1"	III	1,959	890	36.4"	6.1"	15.5"	17.1"	60.0"	42.0"	
26J-CCS-3A-0032	4,850@23	2,200@585	43.3"	21.5"-76.9"	III	2,076	944	36.4"	6.1"	17.2"	17.2"	60.0"	46.0"	
26J-CCS-3A-0033	4,850@24	2,200@610	43.3"	21.3"-76.7"	III	2,126	966	36.4"	6.1"	17.9"	17.3"	60.0"	48.0"	
26J-CCS-3A-0034	4,475@26	2,033@660	43.3"	21.1"-76.5"	III	2,225	1,012	36.4"	6.1"	19.4"	17.4"	60.0"	52.0"	
26J-CCS-3A-0035	4,300@27	1,959@685	43.3"	21.0"-76.4"	III	2,294	1,043	36.4"	6.1"	20.4"	17.5"	60.0"	54.0"	

High Pressure - For trucks delivering over 2,760 psi of operating pressure consult Cascade.

- ① Class III Bolt-On mounting is standard on 26J and Quick-Disconnect mounting is available at no charge. **Minimum truck carriage width equals hook spread (E).**
- ② Published opening range limits are nominal clamp dimensions only and clamp may not accommodate loads with same or similar dimension. Consult Cascade for further assistance.
- ▶ Front lower leading edge pad wear can be addressed by periodic replacement of the factory installed wear tiles. Contact Cascade Parts Department at 888-CASCADE (227-2233) for service kits. Cascade recommends using tilt control with all Carton Clamps.
- ▶ All models include an integrated sideshift circuit.
- ▶ Standard valve configuration is with clamp ports on the right and sideshift on the left. Reverse valve configuration optional.
- ▶ Can easily be converted to non-sideshifting by plugging ports on the valve. Clamp requires only 1 auxiliary valve.
- ▶ Attachment capacity should be matched to the derated truck capacity with the attachment installed for most efficient application.
- ▶ External Sideshift Available: Consult Cascade
Class 2 External sideshift = ET + 25 mm (1.0")
Class 3 External sideshift = ET + 38 mm (1.5")

Cascade Corporation • PO Box 20187 • Portland, OR 97294-0187 • USA • 800 CASCADE (227.2233) • Tel 503.669.6257 • Fax 800.693.3768 • Fax 503.669.6367
 Cascade Canada Ltd. • 5570 Timberlea Blvd. • Mississauga, Ontario L4W 4M6 • Canada • 800.380.2272 • Tel 905.629.7777 • Fax 905.629.7785