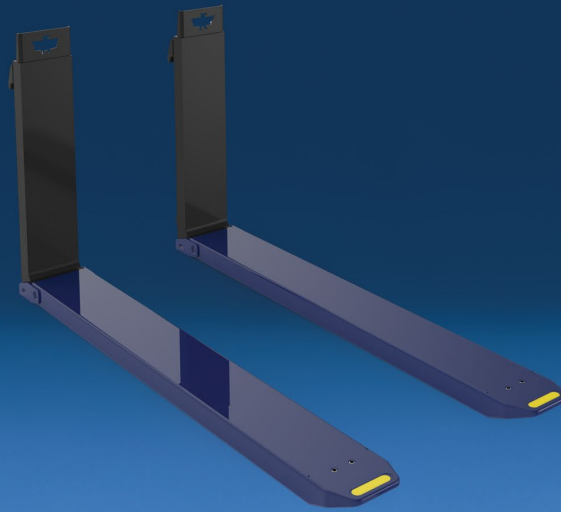


Extend the reach of your lift truck with Telescopic Forks or Fork Extensions



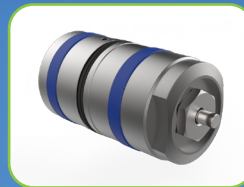
Extendable forks for efficient load handling and reduced operating costs.



Dual cylinders for greater push and pull force.



TFE Thin Profile for entry into smaller fork pockets.



Resyncing Piston to ensure forks move synchronously.



High-strength steel outer fork reduces deflection while extended.

APPLICATION

Increase the efficiency of your lift truck by using Cascade Hydraulic Telescopic Forks or Hydraulic Fork Extensions.

Telescopic Forks are capable of extending and retracting while carrying a load. With Telescopic Forks, trucks and trailers can be loaded and unloaded from one side without moving to and from either side of the vehicle and warehouses can take advantage of double-deep racking.

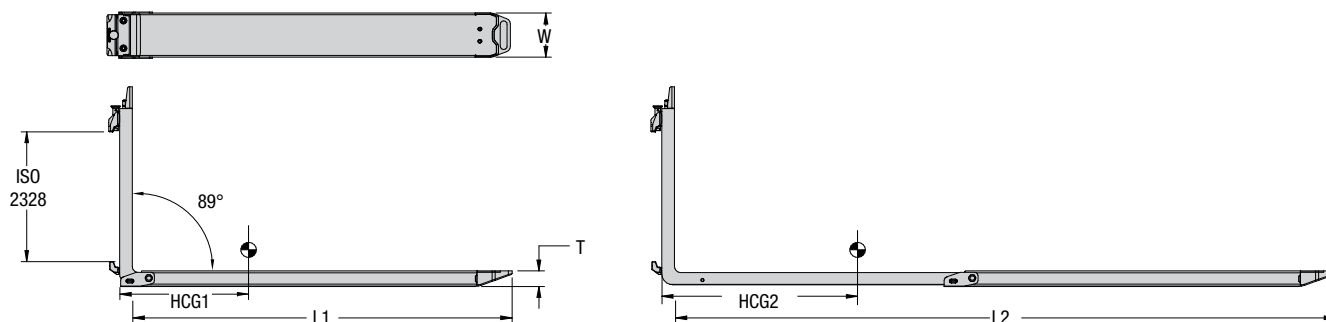
Hydraulic Fork Extensions allow operators to adjust the fork length to match the load, providing versatile handling, especially for long loads. Easily accommodate Euro pallets, International pallets, and more, with the ability to handle from either the long or short side of the pallet.

FEATURES

- Hydraulically linked cylinder bores eliminate the need for separate flow divider to ensure the outer shoes move synchronously.
- High-strength steel outer fork with solid-cast nose reduces deflection.
- A reinforced heel design improves wearability.
- Integrated hose guard protects hydraulic hookups.
- ISO ITA Class II, III, or IV mounting as standard for quick installation.
- Cascade Patented High-Visibility fork tips for better positioning.

OPTIONS

- Slim model Telescopic Forks available for easy entry on the shorter side pockets of some pallets.
- Pin type, Drop Shank, and Custom mountings available.
- Pallet Stops to prevent outer fork from protruding past the pallet entry.
- Fork Positioner Shank Lugs and Rolling Hose Kits to easily integrate into a Fork Positioner.
- Load Backrest to support load when moving forward.
- Wear strips under fork to improve fork life.
- Readily available in a variety of standard lengths and strokes with custom lengths available on special order.



Catalogue Order No.	Capacity @ 600 mm Load Centre kg	Capacity @ 1750 mm Load Centre kg	Fork Length (mm) L1/L2	Fork Dimensions (mm) WxT	Stroke (mm) S=L2-L1	Effective Thickness ET	Horizontal Centre of Gravity 1 (mm) HCG 1	Horizontal Centre of Gravity 2 (mm) HCG 2	Weight kg	Mounting Class ISO 2328
Standard Model TFQ - Dual Cylinder - Telescopic forks with load										
25C-TFQ-2A-2041	2500	850	1100/1850	162x57	750	45	425	602	181	2A
25C-TFQ-2A-2042	2500	850	1200/2050	162x57	850	45	469	675	193	2A
25C-TFQ-2A-2043	2500	850	1350/2350	162x57	1000	45	549	796	210	2A
35C-TFQ-3A-2041	3500	1200	1100/1850	162x57	750	45	399	575	195	3A
35C-TFQ-3A-2042	3500	1200	1200/2050	162x57	850	45	442	633	206	3A
35C-TFQ-3A-2043	3500	1200	1350/2350	162x57	1000	45	508	740	224	3A
45C-TFQ-3A-2041	4500	1550	1100/1850	162x62	750	45	399	575	195	3A
45C-TFQ-3A-2042	4500	1550	1200/2050	162x62	850	45	442	633	206	3A
45C-TFQ-3A-2043	4500	1550	1350/2350	162x62	1000	45	508	740	224	3A
Single Cylinder Model TFT - Telescopic forks with load										
18C-TFT-2A-1042	1800	600	1200/2050	130x57	850	45	475	675	160	2A
25C-TFT-2A-1042	2500	850	1200/2050	130x57	850	45	475	675	160	2A
Slimline Model TFF - Telescopic forks with load										
32C-TFF-3A-1042 ^{①②}	3200	1100	1200/2050	161x47	850	35	436	625	172	3A
TFE - Hydraulic fork extensions										
25C-TFE-2A-0042 ^{①②}	2500	850	1000/1200	162x47	200	35	374	417	145	2A
32C-TFE-3A-0042 ^{①②}	3200	1100	1000/1200	162x47	200	35	351	391	157	3A
35C-TFE-3A-0042	3500	1200	1000/1200	162x57	200	45	362	397	193	3A
45C-TFE-3A-0042	4500	1550	1000/1200	162x62	200	50	370	404	212	3A

- ▶ Not recommended for clamping between forks.
- ▶ Dealer to provide jumper hoses.
- ① Supplied with flow divider valve to be mounted on truck carriage or fork positioner.
- ② Reduced hydraulic flow. See Hydraulic Pressure and Flow table below.

HYDRAULIC PRESSURE AND FLOW

Maximum Pressure bar	Min-Rec-Max lpm
160	10 / 25 / 30
② 160	8 / 11 / 15