

The Clamp Open Guard system helps prevent accidental unclamping of the load.

Guard against accidental unclamping.

APPLICATIONS

Our system is recommended for use on Paper Roll Clamps, Layer Pickers and Sliding Arm Clamps to provide an added level of security in preventing accidental load dropping (as required by the ANSI/ITSDF B56.1, paragraph 7.25.7-see page two). The Cascade Clamp Open Guard requires a secondary action on the part of the driver before the clamp open auxiliary function will operate, preventing unintentional release of the load.

HERE'S HOW IT WORKS

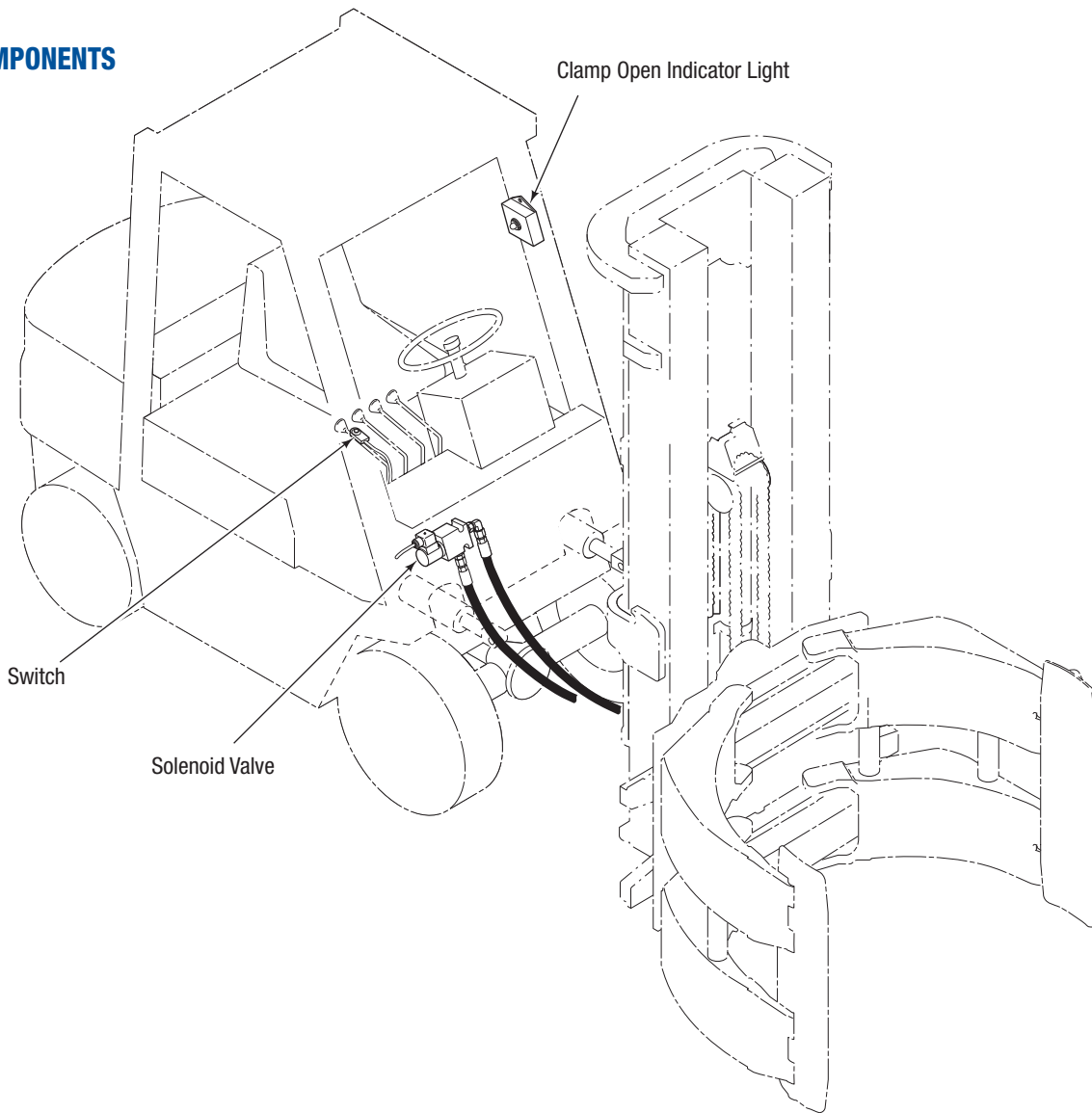
Without the driver taking a secondary action, the clamp open circuit is inoperable. The Clamp Open Guard requires the driver to make two distinct motions, push a button and move the auxiliary lever to open the clamp. The Clamp Open Guard has no effect on clamp closing operations.

FEATURES

- The driver activates the Clamp Open Guard system when he is ready to unclamp the load.
- LED light indicates when load can be unclamped.
- Easily installed in the hydraulic system.
- No calibration required.

Reduce the costs of damage from premature unclamping.

SYSTEM COMPONENTS



The Clamp Open Guard will require the driver to hold the button down while opening the arms.

Notes on system operations

- A. The clamp will always be able to close or clamp on the load without pushing any buttons.
- B. The driver will be required to press the unclamp button to open the clamp arms even when not clamping a load.

ANSI/ITSDF B56.1-2009, section 7.25.7 reads:

7.25.7 The manual operation or physical action of the control used to release a load bearing clamp shall require two distinct motions or operations by the operator before the clamp is opened and the load bearing force is released. For example move the lever or handle to the left (or right) and then forward (or down), or, depress a button on the lever or handle and then move the lever or handle forward (or down).