

ES1530L

LIGHTWEIGHT ELECTRIC SCISSOR LIFT

SCISSOR LIFT



STANDARD SPECIFICATIONS

| Performance | Indoor | Outdoor |
|--------------------------------|----------------------------------|----------------------------------|
| Platform Height (Elevated) | 15-ft / 4.5-m | 10-ft / 3-m |
| Platform Capacity | 500-lb / 227-kg | 500-lb / 227-kg |
| Capacity on Platform Extension | 250-lb / 115-kg | 250-lb / 115-kg |
| Number of Occupants | 1 | 1 |
| Lift / Lower Time (No Load) | 19/19 seconds | 19/19 seconds |
| Lift / Lower Time (Rated Load) | 22/17 seconds | 22/17 seconds |
| Maximum Drive Height | Fully Elevated | Fully Elevated |
| Weight* | 1,940-lb / 880-kg | 1,940-lb / 880-kg |
| Max. Ground Bearing Pressure | 116 psi / 8.1 kg/cm ² | 116 psi / 8.1 kg/cm ² |
| Drive Speed (Lowered) | 2.4 mph / 3.8 km/h | 2.4 mph / 3.8 km/h |
| Drive Speed (Raised) | 0.5 mph / 0.8 km/h | 0.5 mph / 0.8 km/h |
| Gradeability | 25% | 25% |
| Max Tilt Rating (Side-to-Side) | 2.5 Degrees | 1.5 Degrees |
| Max Tilt Rating (Fore and Aft) | 3 Degrees | 3 Degrees |
| Turning Radius (Inside) | Zero | Zero |
| Turning Radius (Outside) | 55-in / 1.4-m | 55-in / 1.4-m |

*Certain options or country standards increase weight

KEY SPECS

Platform Height

Indoor: 15-ft / 4.5-m
Outdoor: 10-ft / 3-m

Platform Capacity

500-lb / 227-kg

Number of Occupants

1

Stowed Drive Speed

2.4 mph / 3.8 km/h

KEY FEATURES

- Lightweight for indoor work on sensitive flooring, such as data centers, while also usable for outdoor applications.
- Maneuver more efficiently with a compact footprint, delivering an industry-exclusive zero turning radius for work in tight spaces.
- Reduce operating costs with electric drive and integrated components containing reduced hydraulic hoses and hydraulic fittings on the entire machine. Meaning, increased uptime as well as fewer leaks and service calls.
- Complies with A92.20 ANSI regulations, achieving the highest standards.

ACCESSORIES & OPTIONS

- Anti-Vandalism Package
- CleanGuard® Leak Containment System
- Coiled Platform Control Box Cable
- Dual Flashing Amber Beacons - LED
- Inverter
- Lithium-Ion Battery; 24V 90Ah
- MDI (Ground)
- SkySense® Enhanced Detection System

Power

| | |
|-----------|------------------------------|
| Batteries | 2 x 12V 105 amp-hr |
| Charger | 27 Amp (Universal Algorithm) |
| Drive | 24V Electric |

Tires

| | |
|----------|-------------------------|
| Standard | 10 x 3-in / 255 x 75-mm |
|----------|-------------------------|

Brakes

Electric, Friction

Hydraulic System

| | |
|----------|-------------------------|
| Capacity | 1.3 gal / 5 L |
| Pump | Fixed Displacement Gear |

STANDARD FEATURES

- 22-in (55-cm) Foot-Actuated Deck Extension
- AC Receptacle in Platform
- Active Pothole Protection System
- All Motion Alarm
- Analyzer Port for Diagnostics
- Battery Condition Indicator
- ClearSky Smart Fleet™ Hardware (CS550)
- DeltaQ - 27 amp Multi-Function Universal Charger
- Diamond Tread Steel Deck
- Dynamic Braking
- Fork Lift Pockets
- Greaseless Kingpin Joints
- Horn
- Hourmeter
- Lanyard Attach Points
- Lifting and Tie Down Points
- LED Motion/Amber Beacon (CS550)
- Load Sensing System
- Lubrication Free Scissor Arm Bushings
- Manual Descent Cable
- Movable, Removable Platform Control
- Nickel Plated Pins
- Proportional Controls
- Removable Ladder
- Scissor Maintenance Prop
- Self Closing Gate
- Steel Swing-Out Doors
- Tilt Alarm and Light
- Visual Variable Tilt Indicator

ES1530L

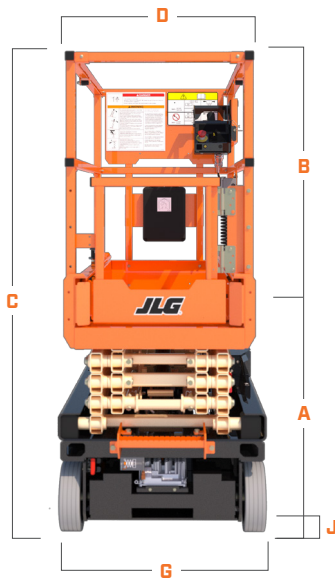
LIGHTWEIGHT ELECTRIC SCISSOR LIFT

SCISSOR LIFT



DIMENSIONS

All dimensions are approximate



| | |
|-------------------------------------|-----------------|
| A. Platform Height (Lowered) | 31.1-in / 0.8-m |
| B. Platform Railing Height | 43.3-in / 11-m |
| C. Machine Height | 74.8-in / 1.9-m |
| D. Platform Width | 24.4-in / 0.6-m |
| E. Platform Length | 49.2-in / 1.3-m |

| | |
|------------------------------|-----------------|
| F. Platform Extension | 21.6-in / 55-cm |
| G. Machine Width | 30-in / 76-cm |
| H. Machine Length | 56.2-in / 1.4-m |
| I. Wheelbase | 42.3-in / 1.1-m |
| J. Ground Clearance | 2.4-in / 6-cm |



We provide coverage for one (1) full year, and cover all specified major structural components for five (5) years. Due to continuous product improvements, we reserve the right to make specification and/or equipment changes without prior notification. This machine meets or exceeds applicable ANSI and CSA requirements based on machine configuration as originally manufactured for intended applications. Please reference the serial number plate on the machine for additional information.



JLG INDUSTRIES, INC.
Toll-free US 877-JLG-LIFT
JLG.com

An Oshkosh Corporation Company