

HWX

30 / 40



PWX

30 / 40



Max Load Capacity
6000 / 8000 lbs.
(2720 / 3630 kg)

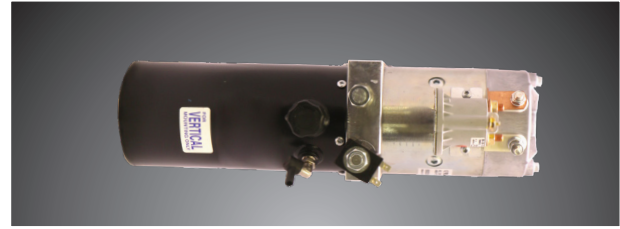


HWXE/PWXE STANDARD FEATURES & BENEFITS



DRIVE UNIT

- **Quiet, Low Maintenance Operation**
 - Spiral bevel gears are immersed in an oil bath and sealed in a heavy-duty case
- **Heavy Duty Tapered Bearings Able To Endure High Shock**



HYDRAULIC SYSTEM

- **Single Assembly System**
 - The integral pump, motor and reservoir assembly does not require a breather cap - eliminating a potential leak site and point where dirt can enter the system

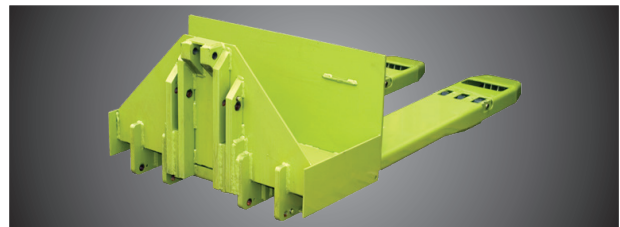


AC DRIVE MOTOR/CONTROL

- **Fully Enclosed**
 - Keeps out dust and contaminants
 - Wet environment is not an issue
 - Better suited for food processing
- **No Brushes to Change or Commutator to Turn...Ever**
 - Routine brush changes are eliminated
 - No need to pull the motor to turn and undercut the commutator
 - Much less likely to burn-out motor during a stall.
- **3 Forms of Regenerative Braking**
 - Change of direction
 - Accelerator Release
 - Tiller Up or Down
- **Advanced Thermal Protection**
 - Prevents heat damage to the motor and control

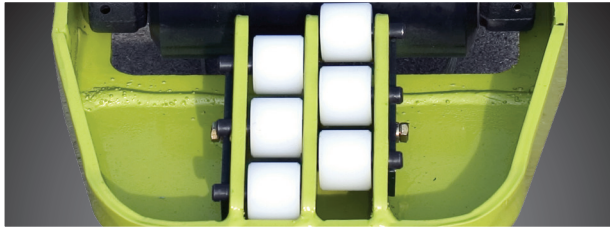
AVAILABLE EQUIPMENT

- EE Construction
- Load backrests
- Polyurethane drive tire
- Various fork sizes
- Back-up alarm
- Battery compartment rollers
- Cold storage protection
- Corrosion protection
- Convenience tray
- "T" style dual load wheels



RUGGED FRAME AND FORKS

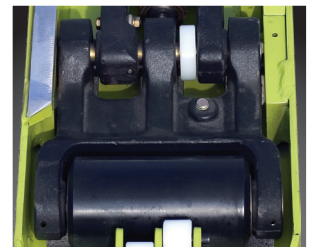
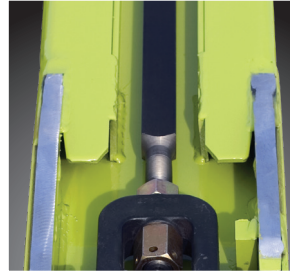
- Frame is fabricated from formed steel plate and bar steel reinforcements for optimum strength and rigidity
- Forks also incorporate formed steel toes plus entry and exit rollers for improved pallet handling



PALLET ENTRY/EXIT

■ Easy Pallet Access

- Entry and exit rollers plus tapered sides improve pallet entry and exit



ENCLOSED ELECTROMAGNETIC BRAKE

■ Spring Applied/EM Release Park Brake

- No Master Cylinder, No Seals
- No Hydraulic Fluids = No Leaks

■ Automatically Applied

- Parking brake is automatically applied when the truck is stopped and the handle is released

LIFTING MECHANISM/UNDERCARRIAGE

■ Pull Rods

- Adjustable to maintain proper fork height over the life of the unit
- Constructed from steel bar stock for maximum strength and durability

■ Bronze Bushings

- Extreme-duty bronze bushings are used at lift linkage pivot points

■ Spring-loaded Stability Casters

- Maintains contact on uneven surfaces

■ Elevating Brackets

- 3-lug design reduce binding and promotes longer pin and bushing life
- All pivot points are greaseable and feature steel backed bushings



STEER/CONTROL HANDLE

■ Operator Control

- Handles are available with either twist grip or thumb operated control

■ Toggle Switch

- Allows the operator to choose low or high speed range based on the application

■ Minimal Steering Effort

- Low mounted steer handle on the PWXE provides increased leverage

■ Ample Foot Room on Rider Platform

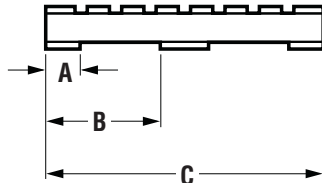
- Top mounted handle on HWXE allows for more available space on rider platform accommodating preferred operator stance

GENERAL DATA & STANDARD DIMENSIONS

Battery Compartment Dimensions

	Width (W) inches	Length (L) inches	Height (H) inches
Small	35.5	7.0	All
Large	31.4	13.6	All

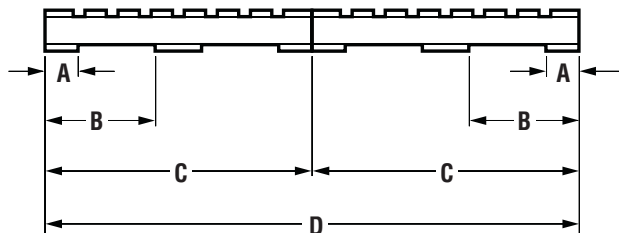
Fork Lengths and Pallet Dimensions (in)



A - Bottom board width
B - Minimum clearance for wheel drop from end of pallet
C - Pallet length

For Single Pallet Handling Fork Length

	A	B	C
42	6	15	42
48	6	15	48
60	6	15	60
72	6	15	72
96	6	15	96



A - Bottom board width
B - Minimum clearance for wheel drop from end of pallet
C - Pallet length
D - Double load length

For Double Pallet Handling Fork Length

D	A	B	C
84/93/96	6	15	48

Notes

Performance may vary +5% and -10% due to motor and systems efficiency tolerance. The performance shown represents nominal values which may be obtained under typical operating conditions with a standard machine.

ANSI/ITSDF and Insurance Classification

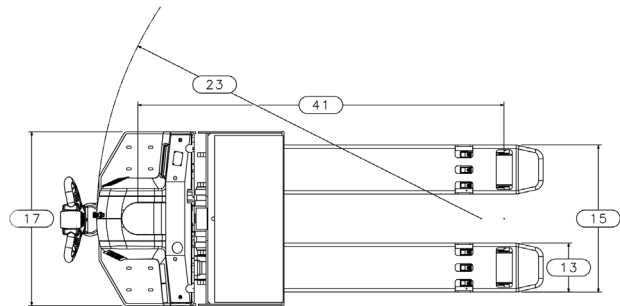
Standard truck meets all applicable mandatory requirements of Part III-ANSI/ITSDF B56.1 Safety Standard for Powered Industrial Trucks (latest edition at time of manufacture) and Underwriters Laboratories requirements as to fire and electrical shock hazard only for "E" classification. For further information contact a Clark representative.

Users should be aware of, and adhere to, applicable codes and regulations regarding operator training, use, operation and maintenance of powered industrial trucks, including:

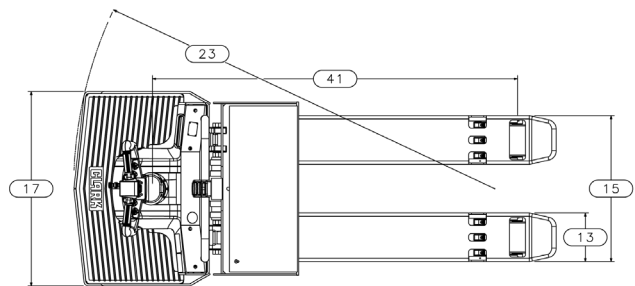
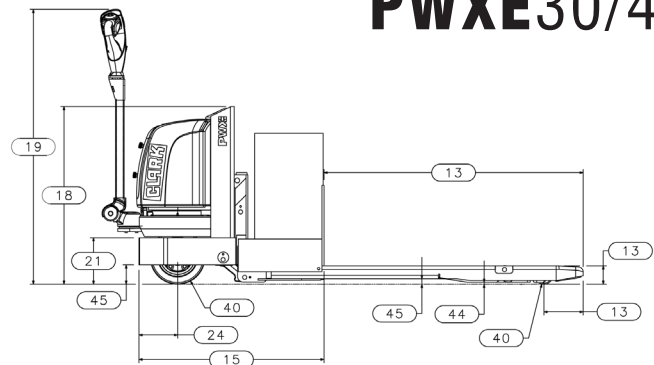
- ANSI/ITSDF B56.1
- NFPA 505, fire safety standard for powered industrial trucks - type designations, areas of use, maintenance and operation.
- Occupational Safety and Health Administration (OSHA) regulations that may apply.

Contact your authorized CLARK forklift truck dealer for further information including operator training programs and auxiliary visual and audible warning systems, fire extinguishers, etc., as available for specific user applications and requirements.

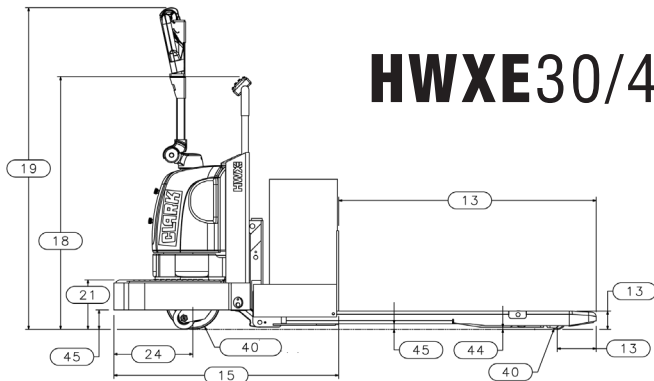
Specifications, equipment, technical data, photos and illustrations are based on information at time of printing and are subject to change without notice. Some products may be shown with optional equipment.



PWXE30/40



HWXE30/40



For corresponding data see Specification Chart



Highly Maneuverable, Easily Serviceable, Broadly Flexible, Extremely Dependable

PWXE/HWXE...The foundation of the **CLARK Powrworker**® line continues to set the standard for rugged dependability since its introduction as the industry's first hydraulically powered low-lift in 1920.

STANDARD SPECIFICATIONS

General Information	1	Manufacturer			Clark	1
	2	Model	Manufacturer's Designation		HWXE30	2
	3	Load Capacity		lbs(kg)	6000 (2720)	3
	4	Load Center	Fork Face to Load CG	in(mm)	24 (600)	4
	5	Power Unit	Electric		24 volt	5
	6	Operator Type			Rider-walk / low lift / pallet	6
	7	Tire Type	Drive-Steer / Load		Rubber / Urethane	7
	8	Wheels (x=driven)	Front/Rear		1X / 2	8
Basic Dimensions	13	Fork	Lift Height to Top of Fork	in(mm)	9.25 (235)	1
			Lowered Height at Heel/Toe	in(mm)	3.50/3.25 (89/83)	
			Thickness	in(mm)	2.38 (60)	
			Width ¹	in(mm)	9.0 (229)	
			Usable Length ²	in(mm)	47.63 (1210)	
			Fork Tip to Load Wheel Cnter. - Lowered	in(mm)	7.17 (182)	
			Fork Tip to Load Wheel Cnter. - Raised	in(mm)	11.38 (289)	
	15	Overall Dimensions	Length to Fork Face ³	in(mm)	35.8/41.8 (655/1062)	1
			Overall Width, Forks	in(mm)	27.0(686)	
	17		Width ³	in(mm)	36.0/32.0 (914/813)	1
	18		Height	in(mm)	46.7 (1187)	1
	19	Handle Height	Ground to Tip of Released Handle	in(mm)	59.5 (1511)	1
	21	Step Height	Ground to Top of Step Plate	in(mm)	9.1 (232)	2
23	Turning Radius	With 48L x 40W Pallet Raised ³	in(mm)	71.8/77.8 (1824/1976)	2	
		With 48L x 40W Pallet Lowered ³	in(mm)	76.2/82.2 (1936/2088)		
24	Head Length	Front of Frame to Center of Drive Tire	in(mm)	14.6 (371)	2	
25	Right Angle Stack Aisle (VDI 2198)	With 48L x 40W Pallet Raised ³	in(mm)	83.5/89.8 (2122/2274)	2	
	(Add 6-8" Operating Clearance)	With 48L x 40W Pallet Lowered ³	in(mm)	83.7/89.7 (2127/2279)		
Perfor.	28	Speeds	Travel Speed, Max, With Load	mph(kph)	6.4 (10.4)	2
	29		Travel Speed, Max, Without Load	mph(kph)	8.4 (13.5)	2
Wt.	34	Service Weight, TSU	Including Battery ³	lbs(kg)	1740/2230 (790/1012)	3
Chassis	39	Tires	Number, Front/Rear		1 / 2	3
	40		Size, Front	in(mm)	10.0 x 5.0 x 6.5 (254 x 127 x 165)	4
			Size, Rear	in(mm)	3.25 x 5.75 (83 x 146)	
			Size, Stabilizing Casters	in(mm)	4.0 x 2.5 (102 x 64)	
	41	Wheelbase	With Forks Lowered ³	in(mm)	61.6/67.6 (1565/1717)	4
	44	Ground Clearance	Minimum Without Load	in(mm)	0.125 (3)	4
	45		At Center of Wheelbase	in(mm)	0.88 (22)	4
			At Front of Frame	in(mm)	3.5 (89)	
	46	Service Brake	Type		Regenerative	4
47	Parking Brake	Actuation		Auto-Electro Magnetic	4	
	Steering	Type		Pivot Arm		
Drive Line	48	Battery	Type		Lead-Acid	4
			Max Capacity (6 hr. Rate) ³	kWh	7.7/21.5	
			Weight, Minimum ³	lbs(kg)	456/821 (207/373)	
			Weight, Maximum ³	lbs(kg)	575/1461 (261/664)	
	49		Drive Motor, Diameter	in(mm)	6.89 (175)	4
			Hydraulic Motor Diameter	in(mm)	4.5 (114)	
			Drive Motor Control		Inverter	
		Speed Control		Solid State		
		Hydraulic Motor Control		Contacto		

- Notes: 1 Forks longer than 54 inches (small compartment) and 48 in. (large compartment) are 9.13 in. wide.
 2 Other fork lengths available, see general data.
 3 Specifications shown for small/large battery compartment models.
 4 84/93/96 FOSP forks are 10.0" wide

HWXE/PWXE 30/40

1	Clark	Clark	Clark
2	HWXE40	PWXE30	PWXE40
3	8000 (3630)	6000 (2720)	8000 (3630)
4	24 (600)	24 (600)	24 (600)
5	24 volt	24 volt	24 volt
6	Rider-walk / low lift / pallet	Walk / low lift / pallet	Walk / low lift / pallet
7	Rubber / Urethane	Rubber / Urethane	Rubber / Urethane
8	1X / 2	1X / 2	1X / 2
13	9.25 (235)	9.25 (235)	9.25 (235)
	3.50/3.25 (89/83)	3.50/3.25 (89/83)	3.50/3.25 (89/83)
	2.38 (60)	2.38 (60)	2.38 (60)
	9.0 (229)	9.0 (229)	9.0 (229)
	47.63 (1210)	47.63 (1210)	47.63 (1210)
	7.17 (182)	7.17 (182)	7.17 (182)
	11.38 (289)	11.38 (289)	11.38 (289)
15	35.8/41.8 (655/1062)	28.27/34.27 (718/870)	28.27/34.27 (718/870)
	27.0(686)	27.0(686)	27.0(686)
17	36.0/32.0 (914/813)	36.0/32.0 (914/813)	36.0/32.0 (914/813)
18	46.7 (1187)	32.39 (823)	32.39 (823)
19	59.5 (1511)	50.5 (1283)	50.5 (1283)
21	9.1 (232)	N / A	N / A
23	71.8/77.8 (1824/1976)	64.6/70.6 (1641/1793)	64.6/70.6 (1641/1793)
	76.2/82.2 (1936/2088)	69.1/75.1 (1755/1908)	69.1/75.1 (1755/1908)
24	14.6 (371)	7.14 (181)	7.14 (181)
25	83.5/89.5 (2122/2274)	76.3/82.3 (1939/2091)	76.3/82.3 (1939/2091)
	83.7/89.7 (2127/2279)	76.6/82.6 (1946/2099)	76.6/82.6 (1946/2099)
28	6.1 (9.8)	3.3 (5.3)	3.1 (4.9)
29	8.4 (13.5)	4.0 (6.4)	4.0 (6.4)
34	1760/2250 (799/1021)	1660/2150 (753/976)	1680/2170 (762/985)
39	1/2	1/2	1/2
40	10.0 x 5.0 x 6.5 (254 x 127 x 165))	10.0 x 5.0 x 6.5 (254 x 127 x 165)	10.0 x 5.0 x 6.5 (254 x 127 x 165)
	3.25 x 5.75 (83 x 146)	3.25 x 5.75 (83 x 146)	3.25 x 5.75 (83 x 146)
	4.0 x 2.5 (102 x 64)		
41	61.6/67.6 (1565/1717)	61.6/67.6 (1565/1717)	61.6/67.6 (1565/1717)
44	0.125 (3)	0.125 (3)	0.125 (3)
45	0.88 (22)	0.88 (22)	0.88 (22)
	3.5 (89)	3.5 (89)	3.5 (89)
46	Regenerative	Regenerative	Regenerative
47	Auto-Electro Magnetic Pivot Arm	Auto-Electro Magnetic Pivot Arm	Auto-Electro Magnetic Pivot Arm
48	Lead-Acid	Lead-Acid	Lead-Acid
	7.7/21.5	7.7/21.5	7.7/21.5
	456/821 (207/373)	456/821 (207/373)	456/821 (207/373)
	575/1461 (261/664)	575/1461 (261/664)	575/1461(261/664)
49	6.89 (175)	6.89 (175)	6.89 (175)
	4.5 (114)	4.5 (114)	4.5 (114)
	Inverter	Inverter	Inverter
	Solid State	Solid State	Solid State
	Contactore	Contactore	Contactore

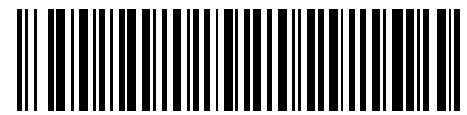


OVER 100 YEARS OF MATERIAL HANDLING INNOVATION

A Centennial is an important milestone which not only celebrates longevity, but testifies to the strength of the CLARK brand across generations. This is reflected in the more than one million lift trucks manufactured by CLARK Material Handling Company over the past 100 years. Even more powerful than the number of trucks built is the company's legacy of innovation. It began in 1917 when employees of CLARK Equipment Company constructed a simple three-wheeled shop buggy to haul sand and castings between buildings at their Buchanan, Michigan plant. The "Trutractor" as the shop buggy was named, became



the first internal combustion material handling truck and was a great success. The industrial truck was born and in the process CLARK developed the first hydraulic lift. Through the years, many extraordinary inventions followed, among them the nested I-beam upright, overhead guard and operator restraint system. The founding principles of Eugene B. Clark— are still true: "Aim always to build the best; never be content with just as good." Today the company remains focused on a bright future and the technologies and trends driving the material handling industry around the world. One Purpose, One Brand, One Legacy, One Century.



59-894-2086

CLARK MATERIAL HANDLING COMPANY
North American Headquarters
700 Enterprise Drive • Lexington, KY 40510
866-252-5275 • www.CLARKmhc.com

HWXE/PWXE 30/40
59-894-2086 Printed in USA OTP06193M
© 2019 CLARK Material Handling Company