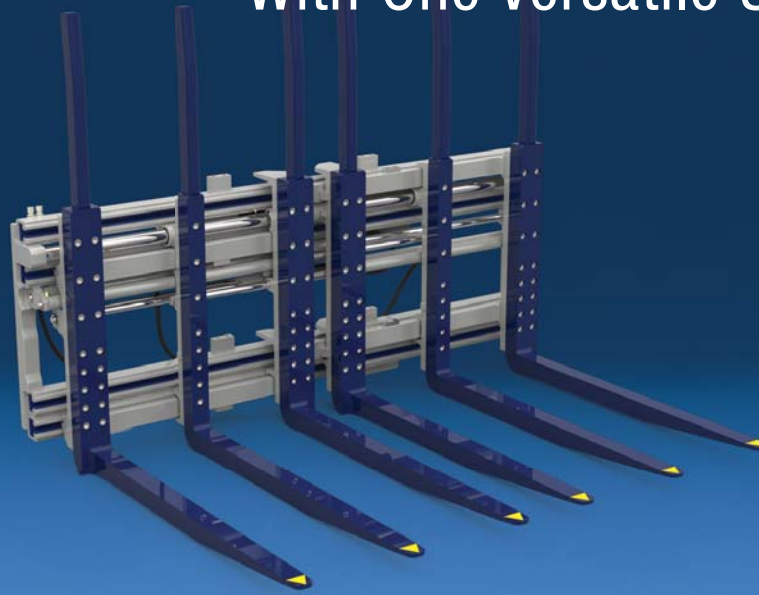


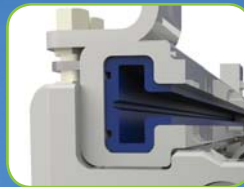
Move Three Times More Product With One Versatile Solution



Superior visibility



Bolt-on interchangeable forks



Fully enclosed UHMW bearings



Pin-mounted inner fork



Adjustable fork set spread

APPLICATIONS

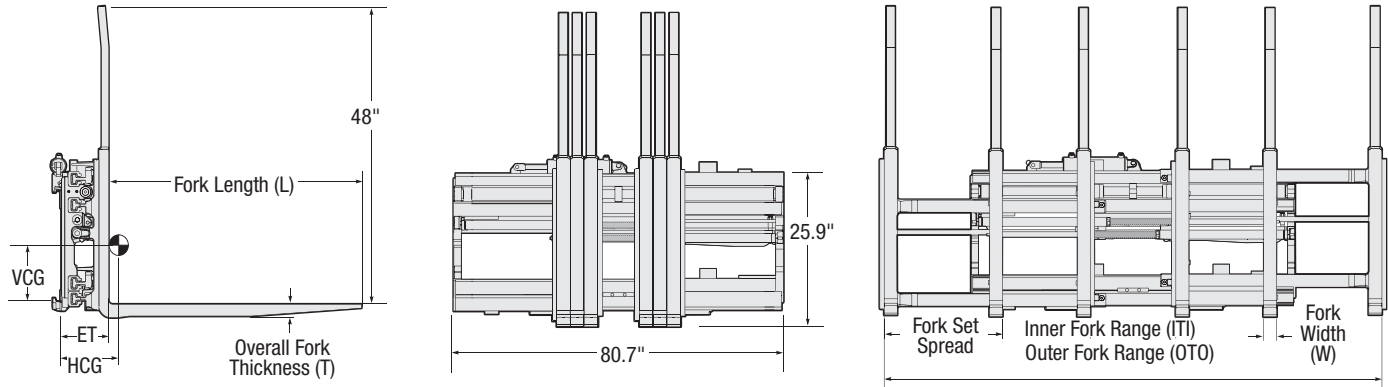
The Triple Pallet Handler reduces the number of trips that are needed to load a truck by a third. Allowing you to move more loads faster, minimize damage and stay competitive. The realized energy savings also help your organization stay green. Cascade's Triple Pallet Handler is designed for any application using pallets or containers to transport product. Spreading the forks hydraulically allows handling of 2 or 3 pallets side by side. Sideshifting provides added flexibility for aligning forks or pallets in tight areas.

FEATURES

- Superior visibility through and over the frame for damage free handling at all stacking heights.
- All steel frame for increased overall durability, eliminating flexing.
- Easy access cylinders for quick servicing.
- Bolt-on Interchangeable forks for low service cost.
- Full-length, fully enclosed wrap around UHMW plastic bearings provide maximum strength and full bearing support, greatly reducing wear on bearing surface.
- Inner forks mounted on a chrome pin for greater inner fork stability.

OPTIONS

- Various load backrest configuration heights, fork lengths and sections.
- Various fork set spreads and opening ranges.
- Quick-disconnect lower hooks.
- Drop shank forks— forks are lowered relative to the attachment frame.
- Non-Sideshifting models available.



Sideshifting

Catalog Order No.	Capacity@ 24" (600 mm) Load Center		Mtg. Class	Min. Truck Carriage Width	Weight		Effective Thickness	Horizontal Ctr. of Gravity	Vertical Ctr. of Gravity	Inner Fork Range	Outer Fork Range	Avg. Pallet Spread	Fork Set Spread	Fork Size
	lbs	kg			lbs	kg								
36" X 36" Beverage Pallets														
25G-FTS-B005	5,500	2,500	III	38.6"	1,560	710	8.6"	7.0"	13.3"	11.0"-19.3"	26.0"-117.7"	20.0"	25.2"	36.0" x 2.4" x 1.8"
30G-FTS-B005	6,500	3,000	III	38.6"	1,605	730	8.8"	7.2"	13.3"	11.0"-19.3"	26.0"-117.7"	20.0"	25.2"	36.0" x 2.4" x 2.0"
48" X 40" GMA Pallets														
25G-FTS-B009	5,500	2,500	III	38.6"	1,605	730	8.6"	7.9"	13.1"	11.0"-20.5"	26.0"-119.7"	19.0"	24.0"	42.0" x 2.4" x 1.8"
30G-FTS-B009	6,500	3,000	III	38.6"	1,650	750	8.8"	8.2"	12.9"	11.0"-20.5"	26.0"-119.7"	19.0"	24.0"	42.0" x 2.4" x 2.0"

- ▶ Other fork lengths available.
- ▶ 8" (200 mm) total sideshift.
- ▶ Right hand termination standard, left hand termination available at no charge.
- ▶ Plastic pallets may require modified fork dimensions. For other ranges or fork dimensions, consult Cascade.
- ▶ The outer fork tines are .2" higher than the inner fork tines.
- ▶ FTS units limited to 60" fork length maximum. For longer forks (FZS models), consult Cascade.
- ▶ For larger capacity FTS models, consult Cascade.

HYDRAULIC FUNCTIONS

Hydraulic Functions	Truck Auxiliary Valves Required
2	2

HYDRAULIC FLOW & PRESSURE

Maximum Pressure psi/bar	Min-Rec-Max Function 1 gpm	Min-Rec-Max Function 2 gpm
2,900/200	1 - 2 - 3	4 - 7 - 7



Single-Double-Triple (FTS)